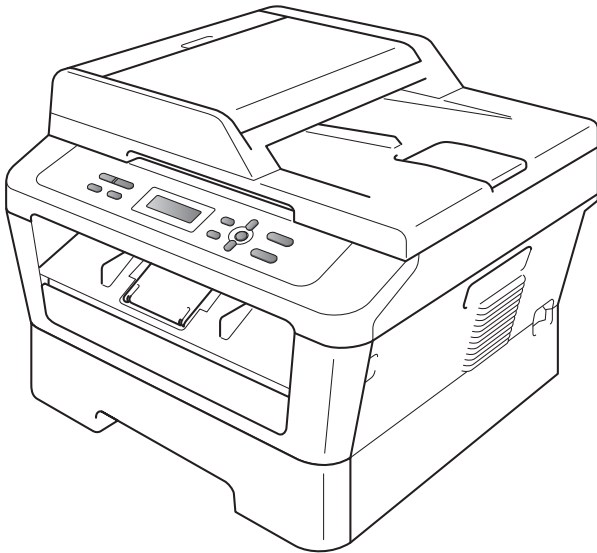


brother®

BASIC USER'S GUIDE



DCP-7060D
DCP-7065DN
HL-2280DW

Not all models are available in all countries.

Version B

USA/CAN

If you need to call Customer Service

Please complete the following information for future reference:

**Model Number: DCP-7060D, DCP-7065DN and
HL-2280DW
(Circle your model number)**

Serial Number: ¹ _____

Date of Purchase: _____

Place of Purchase: _____

¹ The serial number is on the back of the unit. Retain this User's Guide with your sales receipt as a permanent record of your purchase, in the event of theft, fire or warranty service.

Register your product on-line at

<http://www.brother.com/registration/>

By registering your product with Brother, you will be recorded as the original owner of the product. Your registration with Brother:

- may serve as confirmation of the purchase date of your product should you lose your receipt;
- may support an insurance claim by you in the event of product loss covered by insurance; and,
- will help us notify you of enhancements to your product and special offers.

The most convenient and efficient way to register your new product is online at <http://www.brother.com/registration/>.

Brother numbers

! IMPORTANT

For technical help, you must call the country where you bought the machine. Calls must be made *from within* that country.

Register your product

By registering your product with Brother International Corporation, you will be recorded as the original owner of the product. Your registration with Brother:

- may serve as confirmation of the purchase date of your product should you lose your receipt;
- may support an insurance claim by you in the event of product loss covered by insurance; and,
- will help us notify you of enhancements to your product and special offers.

Please complete and fax the Brother Warranty Registration and Test Sheet or, for your convenience and most efficient way to register your new product, register on-line at

<http://www.brother.com/registration/>

FAQs (frequently asked questions)

The Brother Solutions Center is our one-stop resource for all your Digital copier Center needs. You can download the latest software and utilities and read FAQs and troubleshooting tips to learn how to get the most from your Brother product.

<http://solutions.brother.com/>



Note

You can check here for Brother driver updates.

To keep your machine's performance up to date, check here for the latest firmware upgrade.

For Customer Service

In USA: 1-877-BROTHER (1-877-276-8437)
1-901-379-1215 (fax)

In Canada: 1-877-BROTHER
(514) 685-4898 (fax)

Service Center Locator (USA only)

For the location of a Brother authorized service center, call 1-877-BROTHER (1-877-276-8437) or visit us on-line at <http://www.brother-usa.com/service/>.

Service Center Locations (Canada only)

For the location of a Brother authorized service center, call 1-877-BROTHER.

Ordering accessories and supplies

For best quality results use only genuine Brother accessories, which are available at most Brother retailers. If you cannot find the accessory you need and you have a Visa, MasterCard, Discover, or American Express credit card, you can order accessories directly from Brother. (You can visit us online for a complete selection of the Brother accessories and supplies that are available for purchase.)



Note

In Canada, only Visa and MasterCard are accepted.

In USA: 1-877-552-MALL (1-877-552-6255)
1-800-947-1445 (fax)

<http://www.brothermall.com/>

In Canada: 1-877-BROTHER

<http://www.brother.ca/>

Description	Item
Toner Cartridge	TN-420 (Approx. 1,200 pages) ^{1 2 3}
	TN-450 (Approx. 2,600 pages) ^{1 2 4}
Drum Unit	DR-420 (Approx. 12,000 pages) ^{5 6}
Basic User's Guide	LX5406001 (English for USA and Canada)
	LX5406002 (French for Canada)
Quick Setup Guide	(DCP-7060D/DCP-7065DN) LX5120001 (English for USA and Canada)
	(HL-2280DW) LX5805001 (English for USA and Canada)
	(DCP-7060D/DCP-7065DN) LX5120002 (French for Canada)
	(HL-2280DW) LX5805002 (French for Canada)

¹ Letter or A4 size single-sided pages.

² Approx. cartridge yield is declared in accordance with ISO/IEC 19752.

³ Standard toner cartridge

⁴ High capacity toner cartridge

⁵ 1 page per job.

⁶ Drum life is approximate and may vary by type of use.

Notice - Disclaimer of Warranties (USA and Canada)

BROTHER'S LICENSOR(S), AND THEIR DIRECTORS, OFFICERS, EMPLOYEES OR AGENTS (COLLECTIVELY BROTHER'S LICENSOR) MAKE NO WARRANTIES, EXPRESS OR IMPLIED, INCLUDING WITHOUT LIMITATION THE IMPLIED WARRANTIES OF MERCHANTABILITY AND FITNESS FOR A PARTICULAR PURPOSE, REGARDING THE SOFTWARE. BROTHER'S LICENSOR(S) DOES NOT WARRANT, GUARANTEE OR MAKE ANY REPRESENTATIONS REGARDING THE USE OR THE RESULTS OF THE USE OF THE SOFTWARE IN TERMS OF ITS CORRECTNESS, ACCURACY, RELIABILITY, CURRENTNESS OR OTHERWISE. THE ENTIRE RISK AS TO THE RESULTS AND PERFORMANCE OF THE SOFTWARE IS ASSUMED BY YOU. THE EXCLUSION OF IMPLIED WARRANTIES IS NOT PERMITTED BY SOME STATES IN THE USA AND SOME PROVINCES IN CANADA. THE ABOVE EXCLUSION MAY NOT APPLY TO YOU.

IN NO EVENT WILL BROTHER'S LICENSOR(S) BE LIABLE TO YOU FOR ANY CONSEQUENTIAL, INCIDENTAL OR INDIRECT DAMAGES (INCLUDING DAMAGES FOR LOSS OF BUSINESS PROFITS, BUSINESS INTERRUPTION, LOSS OF BUSINESS INFORMATION, AND THE LIKE) ARISING OUT OF THE USE OR INABILITY TO USE THE SOFTWARE EVEN IF BROTHER'S LICENSOR HAS BEEN ADVISED OF THE POSSIBILITY OF SUCH DAMAGES. BECAUSE SOME STATES IN THE USA AND SOME PROVINCES IN CANADA DO NOT ALLOW THE EXCLUSION OR LIMITATION OF LIABILITY FOR CONSEQUENTIAL OR INCIDENTAL DAMAGES, THE ABOVE LIMITATIONS MAY NOT APPLY TO YOU. IN ANY EVENT BROTHER'S LICENSOR'S LIABILITY TO YOU FOR ACTUAL DAMAGES FROM ANY CAUSE WHATSOEVER, AND REGARDLESS OF THE FORM OF THE ACTION (WHETHER IN CONTRACT, TORT (INCLUDING NEGLIGENCE), PRODUCT LIABILITY OR OTHERWISE), WILL BE LIMITED TO \$50.

Compilation and Publication Notice

Under the supervision of Brother Industries Ltd., this manual has been compiled and published, covering the latest product descriptions and specifications.

The contents of this manual and the specifications of this product are subject to change without notice.

Brother reserves the right to make changes without notice in the specifications and materials contained herein and shall not be responsible for any damages (including consequential) caused by reliance on the materials presented, including but not limited to typographical and other errors relating to the publication.

Brother® One-Year Limited Warranty and Replacement Service (USA Only)

Who is covered:

- This limited warranty (“warranty”) is given only to the original end-user/retail purchaser (referred to in this warranty as “Original Purchaser”) of the accompanying product, consumables and accessories (collectively referred to in this warranty as “this Product”).
- If you purchased a product from someone other than an authorized Brother reseller in the United States or if the product was used (including but not limited to floor models or refurbished product by someone other than Brother), prior to your purchase you are not the Original Purchaser and the product that you purchased is not covered by this warranty.

What is covered:

- This Product includes a Machine and Consumable and Accessory Items. Consumable and Accessory Items include but are not limited to print heads, toner, drums, ink cartridges, print cartridges, cordless handset battery, refill ribbons, therma PLUS paper and thermal paper.
- Except as otherwise provided herein, Brother warrants that the Machine and the accompanying Consumable and Accessory Items will be free from defects in materials and workmanship, when used under normal conditions.
- This warranty applies only to products purchased and used in the United States. For products purchased in, but used outside, the United States, this warranty covers only warranty service within the United States (and does not include shipping outside the United States).

What is the length of the Warranty Periods:

- Machines: one year from the original purchase date.
- Accompanying Consumable and Accessory Items: 90 days from the original purchase date or the rated life of consumable, whichever comes first.

What is NOT covered:

This warranty does not cover:

- 1 Physical damage to this Product;
- 2 Damage caused by improper installation, improper or abnormal use, misuse, neglect or accident (including but not limited to transporting this Product without the proper preparation and/or packaging);
- 3 Damage caused by another device or software used with this Product (including but not limited to damage resulting from use of non Brother®-brand parts and Consumable and Accessory Items);

- 4 Consumable and Accessory Items that expired in accordance with a rated life;
- 5 Problems arising from other than defects in materials or workmanship; and,
- 6 Normal Periodic Maintenance Items, such as Waste Ink Absorber, Paper Feeding Kit, Fuser and Laser Units.

This limited warranty is VOID if this Product has been altered or modified in any way (including but not limited to attempted warranty repair without authorization from Brother and/or alteration/removal of the serial number).

What to do if you think your Product is eligible for warranty service:

Report your issue to either our Customer Service Hotline at 1-877-BROTHER (1-877-276-8437) or to a Brother Authorized Service Center **within the applicable warranty period.** Supply Brother or the Brother Authorized Service Center with a copy of your dated bill of sale showing that this Product was purchased within the U.S. For the name of local Brother Authorized Service Center(s), call 1-877-BROTHER (1-877-276-8437) or visit www.brother-usa.com.

What Brother will ask you to do:

After contacting Brother or a Brother Authorized Service Center, you may be required to deliver (by hand if you prefer) or send the Product properly packaged, freight prepaid, to the Authorized Service Center together with a photocopy of your bill of sale. **You are responsible for the cost of shipping, packing product, and insurance (if you desire). You are also responsible for loss or damage to this Product in shipping.**

What Brother will do:

If the problem reported concerning your Machine and/or accompanying Consumable and Accessory Items is covered by this warranty and if you first reported the problem to Brother or an Authorized Service Center within the applicable warranty period, Brother or its Authorized Service Center will repair or replace the Machine and/or accompanying Consumable and Accessory Items at no charge to you for parts or labor. The decision as to whether to repair or replace the Machine and/or accompanying Consumable and Accessory Items is made by Brother in its sole discretion. Brother reserves the right to supply a refurbished or remanufactured replacement Machine and/or accompanying Consumable and Accessory Items and use refurbished parts provided such replacement products conform to the manufacturer's specifications for new product/parts.

Brother® One-Year Limited Warranty and Replacement Service (USA Only)

The repaired or replacement Machine and/or accompanying Consumable and Accessory Items will be returned to you freight prepaid or made available for you to pick up at a conveniently located Authorized Service Center.

If the Machine and/or accompanying Consumable and Accessory Items are not covered by this warranty (either stage), you will be charged for shipping the Machine and/or accompanying Consumable and Accessory Items back to you and charged for any service and/or replacement parts/products at Brother's then current published rates.

The foregoing are your sole (i.e., only) and exclusive remedies under this warranty.

What happens when Brother elects to replace your Machine:

When a replacement Machine is authorized by Brother, and you have delivered the Machine to an Authorized Service Center, the Authorized Service Center will provide you with a replacement Machine after receiving one from Brother. If you are dealing directly with Brother's Express Exchange Service Brother will send to you a replacement Machine shipped for receipt within two business days, with the understanding that you will, after receipt of the replacement Machine, supply the required proof of purchase information, together with the Machine that Brother agreed to replace. You are then expected to pack the Machine that Brother agreed to replace in the package from the replacement Machine and return it to Brother using the pre-paid freight bill supplied by Brother in accordance with the instructions provided by Brother. Since you will be in possession of two machines, Brother will require that you provide a valid major credit card number. Brother will issue a hold against the credit card account number that you provide until Brother receives your original Product and determines that your original Product is entitled to warranty coverage. Your credit card will be charged up to the cost of a new Product only if: (i) you do not return your original Product to Brother within five (5) business days; (ii) the problems with your original Product are not covered by the limited warranty; (iii) the proper packaging instructions are not followed and has caused damage to the product; or (iv) the warranty period on your original Product has expired or has not been sufficiently validated with a copy of the proof of purchase (bill of sale).

The replacement Machine you receive (even if refurbished or remanufactured) will be covered by the balance of the limited warranty period remaining on the original Product, plus an additional thirty (30) days. You will keep the replacement Machine that is sent to you and your original Machine shall become the property of Brother. **Retain your original Accessory Items and a copy of the return freight bill, signed by the courier.**

Limitations:

Brother is not responsible for damage to or loss of any equipment, media, programs or data related to the use of this Product. Except for the repair or replacement as described above, Brother shall not be liable for any direct, indirect, incidental or consequential damages or specific relief. Because some states do not allow the exclusion or limitation of consequential or incidental damages, the above limitation may not apply to you.

THIS WARRANTY IS GIVEN IN LIEU OF ALL OTHER WARRANTIES, WRITTEN OR ORAL, WHETHER EXPRESSED BY AFFIRMATION, PROMISE, DESCRIPTION, DRAWING, MODEL OR SAMPLE. ANY AND ALL WARRANTIES OTHER THAN THIS ONE, WHETHER EXPRESS OR IMPLIED, INCLUDING IMPLIED WARRANTIES OF MERCHANTABILITY AND FITNESS FOR A PARTICULAR PURPOSE, ARE HEREBY DISCLAIMED.

- This Limited Warranty is the only warranty that Brother is giving for this Product. It is the *final expression and the exclusive and only statement* of Brother's obligations to you. It replaces all other agreements and understandings that you may have with Brother or its representatives.
- This warranty gives you certain rights and you may also have other rights that may vary from state to state.
- This Limited Warranty (and Brother's obligation to you) may not be changed in any way unless you and Brother sign the same piece of paper in which we (1) refer to this Product and your bill of sale date, (2) describe the change to this warranty and (3) agree to make that change.

Important: *We recommend that you keep all original packing materials, in the event that you ship this Product.*

**BROTHER MULTIFUNCTION CENTER® / FAX MACHINE
LIMITED WARRANTY
(Canada only)**

Pursuant to the limited warranty of 1 year from the date of purchase for labour and parts, Brother International Corporation (Canada) Ltd. ("Brother"), or its Authorized Service Centres, will repair or replace (at Brother's sole discretion) this MFC/Fax machine free of charge if defective in material or workmanship. This warranty applies only to products purchased and used in Canada.

This limited Warranty does not include cleaning, consumables (including, without limitation, ink cartridges, print cartridges, print rolls, thermal paper rolls, toner cartridges, drum units, OPC belts, fixing units, print heads, paper feed rollers, transfer rolls, cleaning rollers, waste toner packs, oil bottles) or damage caused by accident, neglect, misuse or improper installation or operation, any damage caused from service, maintenance, modifications, or tampering by anyone other than a Brother Authorized Service Representative, or if shipped out of the country.

The use of supplies or consumable items that are non-Brother products may void your warranty. This limited warranty ceases when this machine is rented, sold, or otherwise disposed of. Operation of the MFC/Fax machine in excess of the specifications or with the Serial Number or Rating Label removed shall be deemed abuse and all repairs thereafter shall be the sole liability of the end-user/purchaser.

In order to obtain warranty service, the MFC/Fax machine must be delivered or shipped freight prepaid by the end-user/purchaser to a "Brother" Authorized Service Centre, together with your Canadian Proof of Purchase in the form of a Sales Receipt.

When shipping or transporting your MFC/Fax machine, please refer to your Operation Manual for the proper packaging procedures.

For Laser units: Failure to remove the Toner Cartridge (and Toner Drum Unit, waste toner packs or oil bottles on applicable models) during shipping or transport will cause severe damage to the Laser MFC/Fax machine and will void the Warranty.

For inkjet units: (When shipping your Inkjet MFC/Fax machine remove the ink cartridges and replace them with the original protective parts. If original protective parts are not available, leave ink cartridges installed. Please avoid shipping the unit without original protective parts or ink cartridges.) Damage to your print head resulting from packing the Inkjet MFC/Fax machine without the ink cartridges or the protective parts will void your warranty.

Improper packaging may cause severe damage to the machine during shipping and will void the warranty.

BROTHER DISCLAIMS ALL OTHER WARRANTIES EXPRESSED OR IMPLIED INCLUDING, WITHOUT LIMITATIONS, ANY IMPLIED WARRANTIES OF MERCHANTABILITY OR FITNESS FOR A PARTICULAR PURPOSE, EXCEPT TO THE EXTENT THAT ANY WARRANTIES IMPLIED BY LAW CANNOT BE VALIDLY WAIVED.

No oral or written information, advice or representation provided by Brother, its Authorized Service Centres, Distributors, Dealers, Agents or employees, shall create another warranty or modify this warranty. The warranty states Brother's entire liability and your exclusive remedy against Brother for any failure of the MFC/Fax machine to operate properly.

Neither Brother nor anyone else involved in the development, production, or delivery of this MFC/Fax machine shall be liable for any indirect, incidental, special, consequential, exemplary, or punitive damages, including lost profits, arising from the use of or inability to use the product, even if advised by the end user/purchaser of the possibility of such damages. Since some Provinces do not allow the above limitation of liability, such limitation, may not apply to you.

This Limited Warranty gives you specific legal rights and you may also have other rights which vary from Province to Province.

Warranty Service is available at Brother Authorized Service Centres throughout Canada. For Technical Assistance or for the name and location of your nearest Authorized Service Centre call 1-877-BROTHER.

The Brother logo, consisting of the word "brother" in a lowercase, bold, sans-serif font, with a registered trademark symbol (®) to the upper right of the letter "r".

Internet support: support@brother.ca or browse Brother's Web Site www.brother.ca.

User's Guides and where do I find it?

Which manual?	What's in it?	Where is it?
Safety and Legal	Read this Guide first. Please read the Safety Instructions before you set up your machine. See this Guide for trademarks and legal limitations.	Printed / In the Box
Quick Setup Guide	Follow the instructions for setting up your machine and installing the drivers and software for the operating system and connection type you are using.	
Basic User's Guide	Learn the basic Copy and Scan operations and how to replace consumables. See troubleshooting tips.	
Advanced User's Guide	Learn more advanced operations: Copy, printing reports, and performing routine maintenance.	PDF file / Documentation CD-ROM / In the Box
Software User's Guide	Follow these instructions for Printing and Scanning (for DCP-7065DN and HL-2280DW). Instructions are included for Network Scanning and using the Brother ControlCenter utility.	
Network Glossary (For DCP-7065DN and HL-2280DW)	This Guide provides basic information about advanced network features of Brother machines along with explanations about general networking and common terms.	
Network User's Guide (For DCP-7065DN and HL-2280DW)	This Guide provides useful information about wired and wireless network settings and security settings using the Brother machine. You can also find supported protocol information for your machine and detailed troubleshooting tips.	

Table of Contents

(BASIC USER'S GUIDE)

1	General information	1
	Using the documentation	1
	Symbols and conventions used in the documentation	1
	Accessing the Advanced User's Guide, Software User's Guide and Network User's Guide.....	2
	Viewing Documentation.....	2
	Accessing Brother Support (Windows®).....	4
	Accessing Brother Support (Macintosh).....	5
	Control panel overview	6
2	Loading paper	8
	Loading paper and print media	8
	Loading paper in the standard paper tray.....	8
	Loading paper in the manual feed slot	10
	Unscannable and unprintable areas.....	14
	Paper settings.....	15
	Paper Type	15
	Paper Size	15
	Acceptable paper and other print media.....	16
	Recommended paper and print media	16
	Type and size of paper	16
	Handling and using special paper	18
3	Loading documents	21
	How to load documents	21
	Using the automatic document feeder (ADF) (For DCP-7065DN)	21
	Using the scanner glass	22
4	Making copies	24
	How to copy	24
	Stop copying	24
	Copy settings.....	24
5	How to print from a computer	25
	Printing a document.....	25
6	How to scan to a computer	26
	Scanning a document.....	26
	Scanning using the scan key	26
	Scanning using a scanner driver	27

A	Routine maintenance	28
	Replacing the consumable items	28
	Replacing the toner cartridge	29
	Cleaning the corona wire	34
	Replacing the drum unit.....	35
B	Troubleshooting	40
	Error and maintenance messages	40
	Document Jams	43
	Document is jammed in the top of the ADF unit (For DCP-7065DN)	43
	Document is jammed under the document cover (For DCP-7065DN)	43
	Removing small documents jammed in the ADF (For DCP-7065DN)	44
	Document is jammed at the output tray (For DCP-7065DN)	44
	Paper Jams.....	45
	Paper is jammed in the standard paper tray.....	45
	Paper is jammed at the back of the machine	46
	Paper is jammed inside the machine.....	48
	Paper is jammed in the Duplex Tray	52
	If you are having difficulty with your machine	54
	Improving the print quality.....	59
	Machine Information	69
	Checking the Serial Number.....	69
	Reset functions.....	69
	How to reset the machine	69
C	Menu and features	70
	On-screen programming.....	70
	Menu table	70
	Menu keys	70
	How to access the menu mode	71
	Menu table	72
D	Specifications	82
	General	82
	Document Size	84
	Print media.....	85
	Copy	86
	Scanner	87
	Printer	88
	Interfaces	89
	Computer requirements	90
	Consumable items	92
	Network (LAN) (DCP-7065DN / HL-2280DW).....	93
E	Index	94

Table of Contents

(ADVANCED USER'S GUIDE)

The Advanced User's Guide explains the following features and operations. You can view the Advanced User's Guide on the Documentation CD-ROM.

1 *General Setup*

Memory storage

Ecology features

Toner Settings

LCD Contrast

User Settings List

*Network Configuration List
(DCP-7065DN / HL-2280DW)*

WLAN Report (HL-2280DW only)

Scanning using a scanner driver

2 *Making copies*

Copy settings

Duplex Copying (1-sided to 2-sided)

A *Routine maintenance*

Cleaning the machine

Checking the machine

Packing and shipping the machine

B *Glossary*

C *Index*



Using the documentation

Thank you for buying a Brother machine! Reading the documentation will help you make the most of your machine.

Symbols and conventions used in the documentation

The following symbols and conventions are used throughout the documentation.

Bold	Bold style identifies keys on the machine control panel or computer screen.
<i>Italics</i>	Italicized style emphasizes an important point or refers you to a related topic.
Courier New	Courier New font identifies the messages shown on the LCD of the machine.

WARNING

WARNING indicates a potentially hazardous situation which, if not avoided, could result in death or serious injuries.

CAUTION

CAUTION indicates a potentially hazardous situation which, if not avoided, may result in minor or moderate injuries.

IMPORTANT

IMPORTANT indicates a potentially hazardous situation which, if not avoided, may result in damage to property or loss of product function.



Electrical Hazard icons alert you to a possible electrical shock.



Hot Surface icons warn you not to touch machine parts that are hot.



Notes tell you how you should respond to a situation that may arise or give tips about how the current operation works with other features.

Accessing the Advanced User's Guide, Software User's Guide and Network User's Guide

This Basic User's Guide does not contain all the information about the machine such as how to use the advanced features for Copy, Printer, Scanner and Network (for DCP-7065DN and HL-2280DW). When you are ready to learn detailed information about these operations, read the **Advanced User's Guide**, **Software User's Guide**, **Network Glossary**, and **Network User's Guide** (for DCP-7065DN and HL-2280DW) that are on the Documentation CD-ROM.

Viewing Documentation

- 1 Turn on your computer. Insert the Documentation CD-ROM into your CD-ROM drive. For Windows® users, go to step 3.

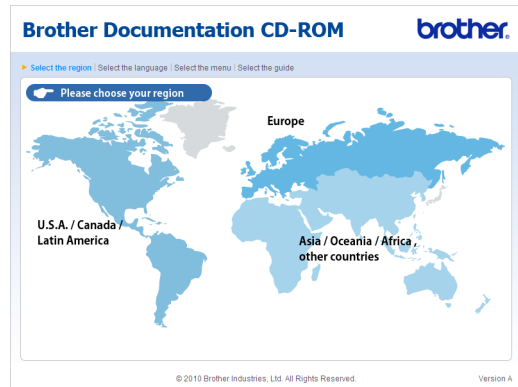


Note

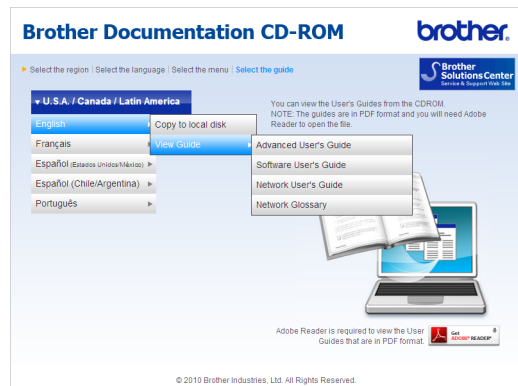
(Windows® users) If the screen does not appear automatically, go to **My Computer (Computer)**, double-click the CD-ROM icon, and then double-click **index.html**.

- 2 (Macintosh users) Double-click the Documentation CD-ROM icon, and then double-click **index.html**.

- 3 Click your country.



- 4 Point to your language, point to **View Guide**, and then click the guide you want to read.



**Note**

- (Windows® users only) Your Web browser may display a yellow bar at the top of the page that contains a security warning about Active X controls. For the page to display correctly you must click on the bar, click **Allow Blocked Content**, then click **Yes** in the Security Warning dialog box.
- (Windows® users only) ¹ For faster access, you can copy all user documentation in PDF format to a local folder on your computer. Point to your language, then click **Copy to local disk**.

¹ Microsoft® Internet Explorer® 6.0 or greater.

How to find Scanning instructions

There are several ways you can scan documents. You can find the instructions as follows:

Software User's Guide

- *Scanning*
- *ControlCenter*
- *Network Scanning*
(For DCP-7065DN and HL-2280DW)

ScanSoft™ PaperPort™ 12SE with OCR How-to-Guides**(Windows®)**

- The complete ScanSoft™ PaperPort™ 12SE with OCR How-to-Guides can be viewed from the Help section in the ScanSoft™ PaperPort™ 12SE application.

Presto! PageManager User's Guide**(Macintosh)****Note**

Presto! PageManager is available as a download from http://nj.newsoft.com.tw/download/brother/PM9SEInstaller_BR_multilang.dmg

- The complete Presto! PageManager User's Guide can be viewed from the Help section in the Presto! PageManager application.

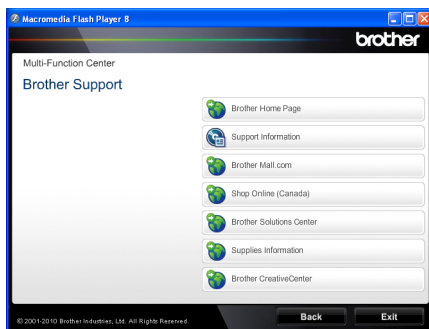
How to find Network setup instructions
(For DCP-7065DN and HL-2280DW)

Your machine can be connected to a wireless or wired network. You can find basic setup instructions in the *Quick Setup Guide*. If your wireless access point or router supports Wi-Fi Protected Setup or AOSS™, you can also follow the steps in the *Quick Setup Guide*. For more information about network setup please see the *Network User's Guide*.

Accessing Brother Support (Windows®)

You can find all the contacts you will need, such as Web support (Brother Solutions Center), Customer Service and Brother Authorized Service Centers on page i and on the Installation CD-ROM.

- Click **Brother Support** on the main menu. The following screen will appear:



- To access our Web site (<http://www.brother.com/>) click **Brother Home Page**.
- To view all Brother Numbers, including Customer Service numbers for the USA and Canada, click **Support Information**.
- To access the USA Brother online shopping mall (<http://www.brothermall.com/>) for additional product and service information, click **Brother Mall.com**.
- To access Canada's Brother online shopping mall (<http://www.brother.ca/>) for additional product and services information, click **Shop Online (Canada)**.
- For the latest news and product support information (<http://solutions.brother.com/>), click **Brother Solutions Center**.
- To visit our web site for genuine Brother supplies (<http://www.brother.com/original/>), click **Supplies Information**.

- To access the Brother CreativeCenter (<http://www.brother.com/creativecenter/>) for FREE photo projects and printable downloads, click **Brother CreativeCenter**.

To return to the main page, click **Back**.

Or, if you have finished, click **Exit**.

Accessing Brother Support (Macintosh)

You can find all the contacts you will need, such as Web support (Brother Solutions Center), Customer Service and Brother Authorized Service Centers in *Brother numbers* on page i and on the Installation CD-ROM.

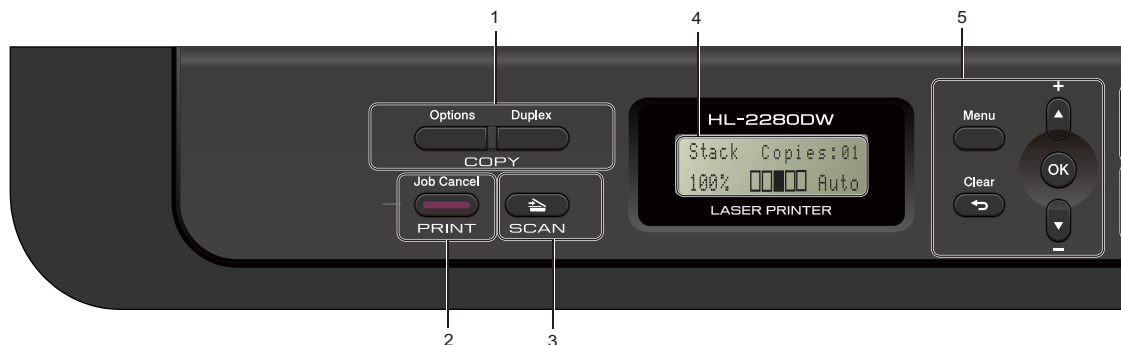
- Double-click the **Brother Support** icon. The following screen will appear:



- To download and install Presto! PageManager, click **Presto! PageManager**.
- To register your machine from the Brother Product Register Page (<http://www.brother.com/registration/>), click **On-Line Registration**.
- To view all Brother Numbers, including Customer Service numbers for the USA and Canada, click **Support Information**.
- For the latest news and product support information (<http://solutions.brother.com/>), click **Brother Solutions Center**.
- To visit our Web site for genuine Brother Supplies (<http://www.brother.com/original/>), click **Supplies Information**.

Control panel overview

DCP-7060D, DCP-7065DN, and HL-2280DW have the same keys.



1 COPY keys:

Options

You can quickly and easily choose temporary settings for copying. These settings include:

Quality

Stack (choose number of copies)

Sort (For DCP-7065DN when using the ADF)

Brightness

Contrast

Enlarge/Reduce

Page Layout

Duplex

You can choose Duplex to copy on both sides of the paper.

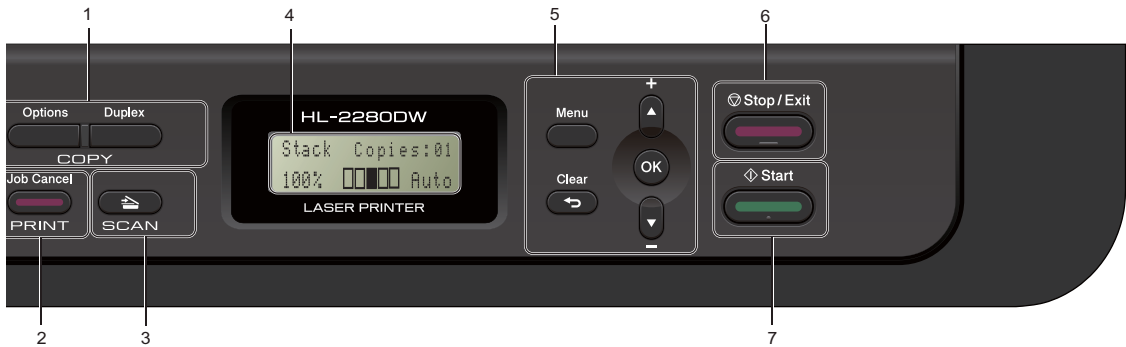
2 PRINT key:

Job Cancel

Cancels a print job and clears it from the machine's memory. To cancel multiple print jobs, hold down this key until the LCD shows Job Cancel (All).

3 SCAN key

Puts the machine in Scan mode.



4 LCD

Displays messages to help you set up and use your machine.

(For HL-2280DW) A four level indicator shows the current wireless signal strength if you are using a wireless connection.



5 Menu keys:

Menu

Lets you access the Menu to program your settings in this machine.

Clear

Deletes entered data or lets you cancel the current setting.

▲ + or ▼ -

Press to scroll through the menus and options.

OK

Lets you store your settings in the machine.

6 Stop/Exit

Stops an operation or exits from a menu.

7 Start

Lets you start making copies or scanning.

2

Loading paper

Loading paper and print media

The machine can feed paper from the standard paper tray or manual feed slot.

When you put paper into the paper tray, note the following:

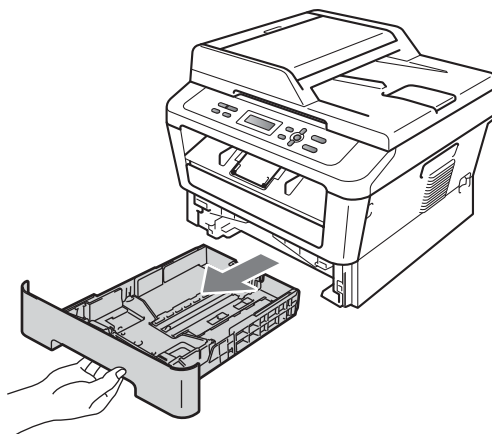
- If your application software supports paper size selection on the print menu, you can select it through the software. If your application software does not support it, you can set the paper size in the printer driver or by using the control panel buttons.

Loading paper in the standard paper tray

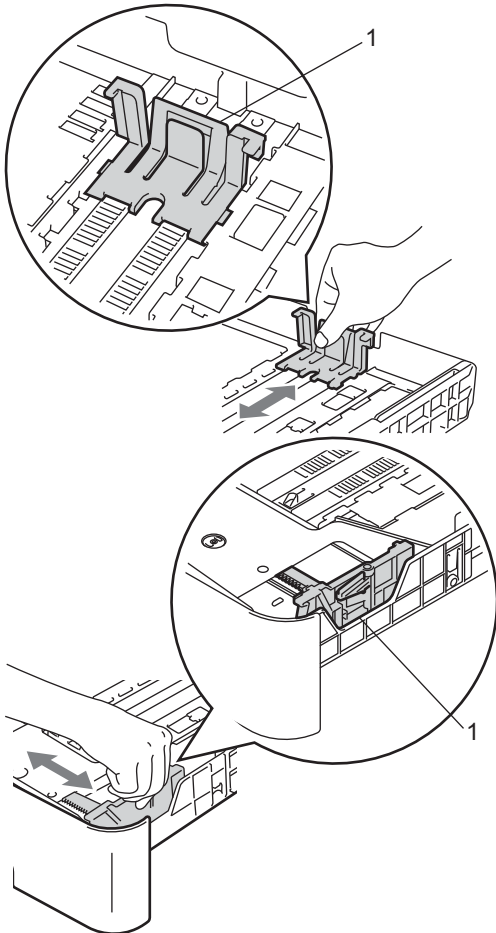
You can load up to 250 sheets. Paper can be loaded up to the maximum paper mark (▼▼▼) on the sliding paper width guide. (For recommended paper to use, see *Paper capacity of the paper trays* on page 17.)

Printing on plain paper, thin paper or recycled paper from the standard paper tray

- 1 Pull the paper tray completely out of the machine.

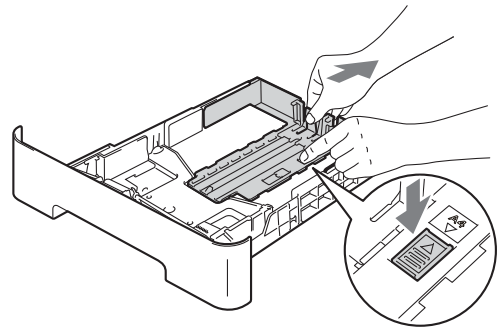


- 2 While pressing the green paper-guide release lever (1), slide the paper guides to fit the paper size you are loading in the tray. Make sure that the guides are firmly in the slots.

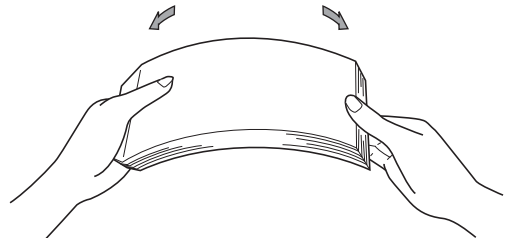
**Note**

For Legal or Folio size paper, press the release button in the bottom of the paper tray and then pull out the back of the paper tray. (Legal or Folio size paper is not available in some regions.)

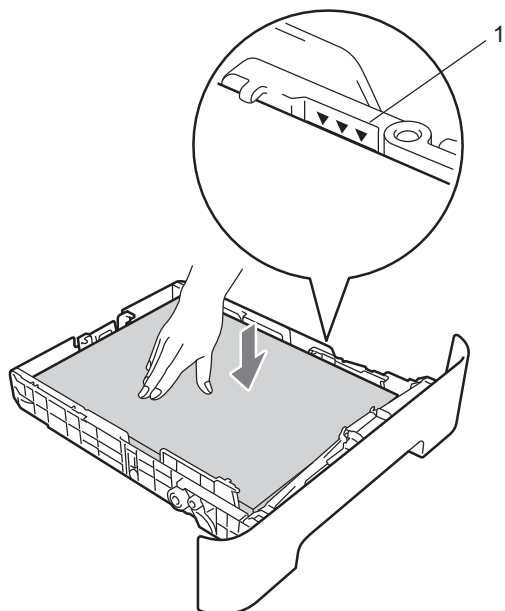
2



- 3 Fan the stack of paper well to avoid paper jams and misfeeds.

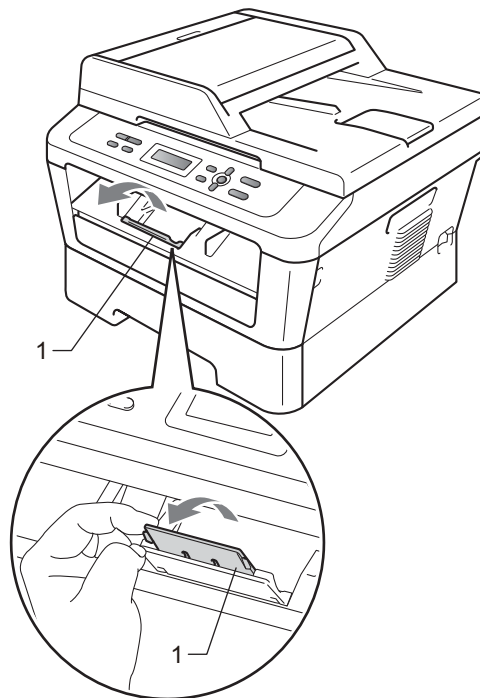


- 4 Put paper in the tray and make sure:
- The paper is below the maximum paper mark (▼▼▼) (1).
- Overfilling the paper tray will cause paper jams.
- The side to be printed on must be *face down*.
 - The paper guides touch the sides of the paper so it will feed properly.



- 5 Put the paper tray firmly back in the machine. Make sure that it is completely inserted into the machine.

- 6 Unfold the support flap (1) to prevent paper from sliding off the face-down output tray.



Loading paper in the manual feed slot

You can load envelopes and special print media one at a time into this slot. Use the manual feed slot to print or copy on labels, envelopes or thicker paper.

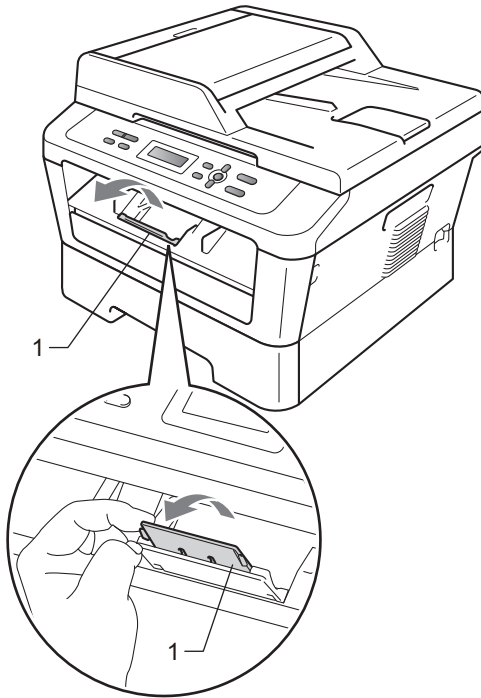


Note

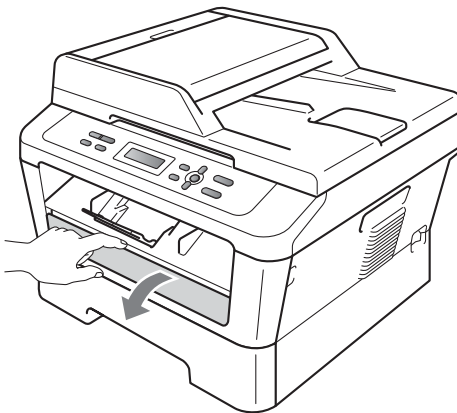
The machine automatically turns on the Manual Feed mode when you put paper in the manual feed slot.

Printing on plain paper or recycled paper from the manual feed slot

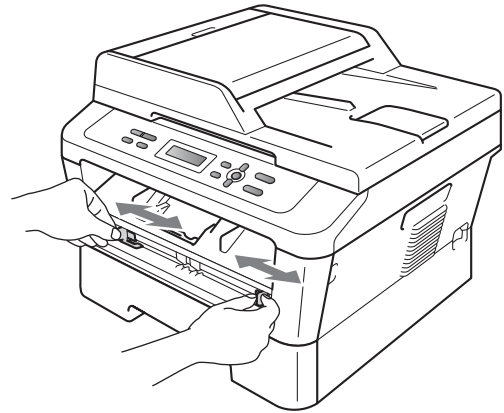
- 1 Unfold the support flap (1) to prevent paper from sliding off the face-down output tray, or remove each page as soon as it comes out of the machine.



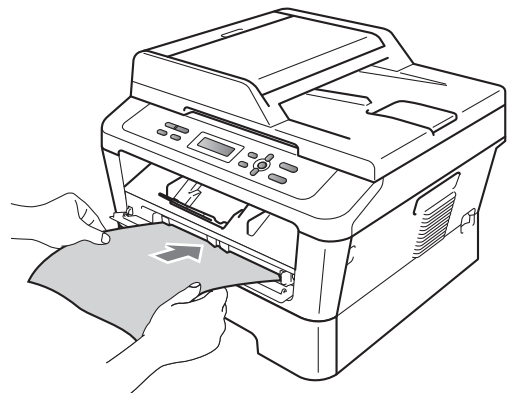
- 2 Open the manual feed slot cover.



- 3 Using both hands, slide the manual feed slot paper guides to the width of the paper that you are going to use.



- 4 Using both hands, put one sheet of paper in the manual feed slot until the front edge of the paper or transparency touches the paper feed roller. When you feel the machine pull in the paper, let go.



Printing on thick paper, bond paper, labels, and envelopes

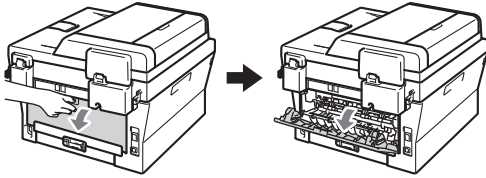
When the back output tray is pulled down, the machine has a straight paper path from the manual feed slot through to the back of the machine. Use this paper feed and output method when you want to print on thick paper, labels or envelopes.



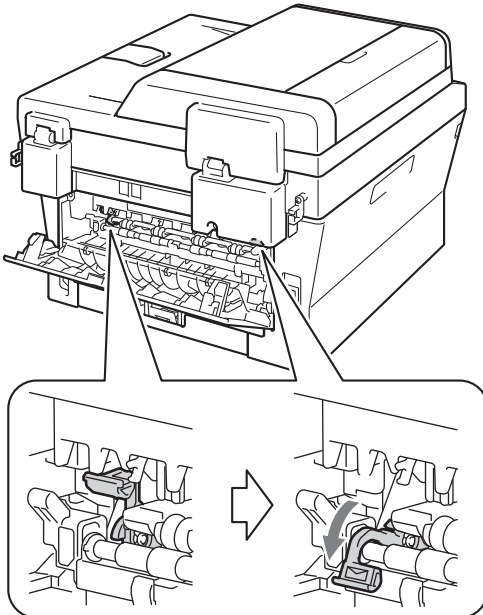
Note

Remove each printed sheet or envelope immediately to prevent a paper jam.

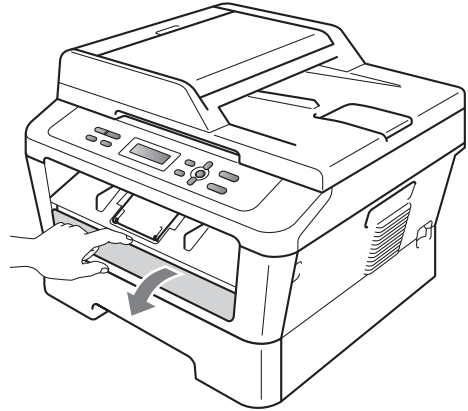
- 1 Open the back cover (back output tray).



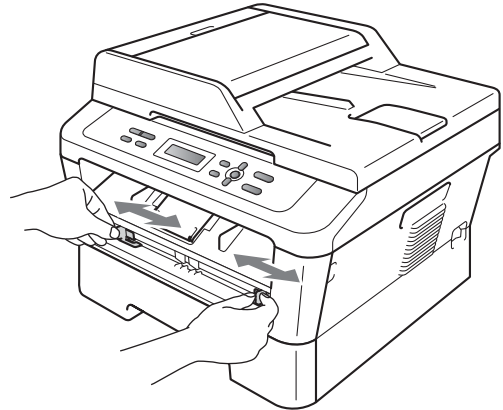
- 2 (For printing envelopes) Pull down the two green levers, one on the left-hand side and one on the right-hand side, as shown in the illustration below.



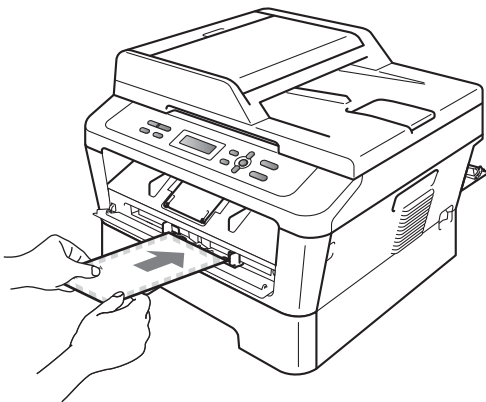
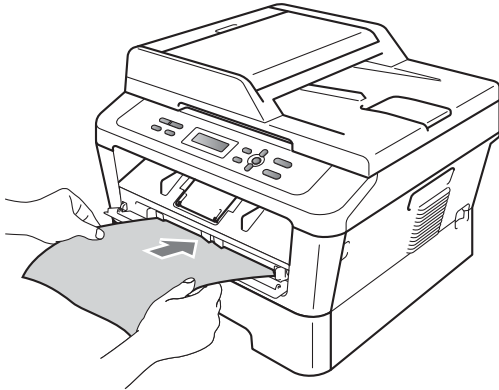
- 3 Open the manual feed slot cover.



- 4 Using both hands, slide the manual feed slot paper guides to the width of the paper that you are going to use.



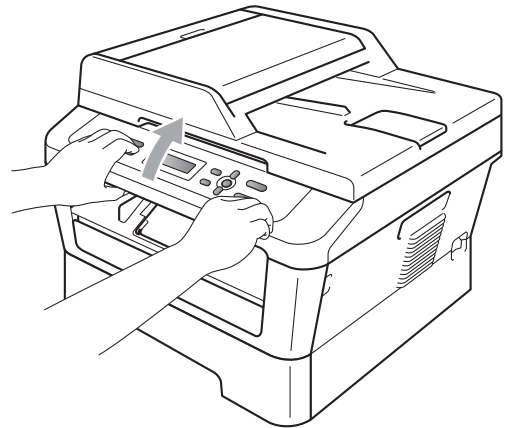
- 5 Using both hands, put one sheet of paper or one envelope in the manual feed slot until the front edge of the paper or envelope touches the paper feed roller. When you feel the machine pull in the paper, let go.



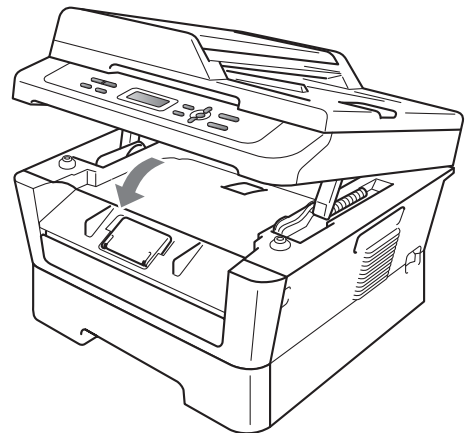
 **Note**

- Put the paper into the manual feed slot with the side to be printed face up.
- Make sure that the print media is straight and in the proper position on the manual feed slot. If it is not, the paper may not be fed properly, resulting in a skewed printout or a paper jam.
- Do not put more than one sheet of paper in the manual feed slot at any one time, as it may cause a jam.

- If you put any print media in the manual feed slot before the machine is in Ready mode, the print media may be ejected without being printed on.
- To easily remove a small printout from the output tray, lift up the scanner cover by using both hands as shown in the illustration.

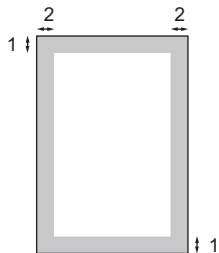


- You can still use the machine while the scanner cover is up. To close the scanner cover, push it down with both hands.



Unscannable and unprintable areas

The figures below show maximum unscannable and unprintable areas. The unscannable and unprintable areas may vary depending on the paper size or settings in the application you are using.



Usage	Document Size	Top (1) Bottom (1)	Left (2) Right (2)
Copy *a single copy or a 1 in 1 copy	Letter	0.16 in. (4 mm)	0.16 in. (4 mm)
	A4	0.16 in. (4 mm)	0.16 in. (4 mm)
Scan	Letter	0.12 in. (3 mm)	0.12 in. (3 mm)
	A4	0.12 in. (3 mm)	0.12 in. (3 mm)
Print	Letter	0.16 in. (4 mm)	0.24 in. (6 mm)
	A4	0.16 in. (4 mm)	0.24 in. (6 mm)

Paper settings

Paper Type

Set up the machine for the type of paper you are using. This will give you the best print quality.

- 1 Press **Menu**.
- 2 Press **▲** or **▼** to choose 1.General Setup.
Press **OK**.
- 3 Press **▲** or **▼** to choose 1.Paper.
Press **OK**.
- 4 Press **▲** or **▼** to choose 1.Paper Type.
Press **OK**.
- 5 Press **▲** or **▼** to choose Thin, Plain, Thick, Thicker, Recycled Paper or Label.
Press **OK**.
- 6 Press **Stop/Exit**.

Paper Size

You can use several different sizes of paper for printing copies: Letter, Legal, Executive, A4, A5, A5 L, A6, B5, B6 or Folio.

When you change the size of paper in the tray, you will also need to change the setting for paper size at the same time so your machine can fit the document on the page.

- 1 Press **Menu**.
- 2 Press **▲** or **▼** to choose 1.General Setup.
Press **OK**.
- 3 Press **▲** or **▼** to choose 1.Paper.
Press **OK**.
- 4 Press **▲** or **▼** to choose 2.Paper Size.
Press **OK**.
- 5 Press **▲** or **▼** to choose Letter, Legal, Executive, A4, A5, A5 L, A6, B5, B6 or Folio.
Press **OK**.
- 6 Press **Stop/Exit**.

Acceptable paper and other print media

Print quality may vary according to the type of paper you are using.

You can use the following types of print media: thin paper, plain paper, thick paper, bond paper, recycled paper, labels or envelopes.

For best results, follow the instructions below:

- DO NOT put different types of paper in the paper tray at the same time because it may cause paper jams or misfeeds.
- For proper printing, you must choose the same paper size from your software application as the paper in the tray.
- Avoid touching the printed surface of the paper immediately after printing.
- Before you buy a lot of paper, test a small quantity to make sure the paper is suitable.

Recommended paper and print media

Paper Type	Item
Plain Paper	Xerox 4200DP 20 lb
	Hammermill Laser Print (24 lb=90 g/m ²)
Recycled Paper	No specific brand recommended
Labels	Avery laser labels white #5160
Envelope	No specific brand recommended

Type and size of paper

The machine loads paper from the installed standard paper tray or manual feed slot.

The name for the paper trays in the printer driver and this guide are as follows:

Tray and optional unit	Name
Standard paper tray	Tray 1
Manual feed slot	Manual

Paper capacity of the paper trays

	Paper size	Paper type	No. of sheets
Paper Tray (Tray 1)	Letter, Legal ¹ , Executive, A4, A5, A5 (Long Edge), A6, B5, B6, Folio ^{1 2}	Plain paper, Thin paper and Recycled paper	up to 250 [20 lb (80 g/m ²)]
Manual feed slot (Manual)	Width: 3.0 to 8.5 in. (76.2 to 216 mm) Length: 4.6 to 16 in. (116 to 406.4 mm)	Plain paper, Thin paper, Thick paper, Thicker paper, Bond paper, Recycled paper, Envelopes and Labels	Single sheet [20 lb (80 g/m ²)]

¹ Legal or Folio size paper is not available in some regions outside the USA and Canada.

² Folio size is 8.5 in. × 13 in. (215.9 mm x 330.2 mm)

Recommended paper specifications

The following paper specifications are suitable for this machine.

Basis weight	20-24 lb (75-90 g/m ²)
Thickness	80-110 μm
Roughness	Higher than 20 sec.
Stiffness	90-150 cm ³ /100
Grain direction	Long grain
Volume resistivity	10e ⁹ -10e ¹¹ ohm
Surface resistivity	10e ⁹ -10e ¹² ohm-cm
Filler	CaCO ₃ (Neutral)
Ash content	Below 23 wt%
Brightness	Higher than 80%
Opacity	Higher than 85%

- Use paper made for plain paper copying.
- Use paper that is 20 to 24 lb (75 to 90 g/m²).
- Use long grain paper with a neutral Ph value, and a moisture content of approx. 5%.
- This machine can use recycled paper that meets DIN 19309 specifications.

Handling and using special paper

The machine is designed to work well with most types of xerographic and bond paper. However, some paper variables may have an effect on print quality or handling reliability. Always test samples of paper before purchasing to ensure desirable performance. Store paper in its original packaging and keep it sealed. Keep the paper flat and away from moisture, direct sunlight and heat.

Some important guidelines when selecting paper are:

- DO NOT use inkjet paper because it may cause a paper jam or damage your machine.
- Preprinted paper must use ink that can withstand the temperature of the machine's fusing process 392 degrees Fahrenheit (200 degrees centigrade).
- If you use bond paper, paper that has a rough surface or paper that is wrinkled or creased, the paper may exhibit degraded performance.

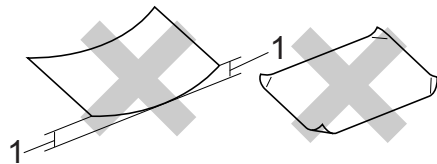
Types of paper to avoid

! IMPORTANT

Some types of paper may not perform well or may cause damage to your machine.

DO NOT use paper:

- that is highly textured
- that is extremely smooth or shiny
- that is curled or warped



1 A curl of 0.08 in. (2 mm) or greater may cause jams to occur.

- that is coated or has a chemical finish
- that is damaged, creased or folded
- that exceeds the recommended weight specification in this guide
- with tabs and staples
- with letterheads using low temperature dyes or thermography
- that is multipart or carbonless
- that is designed for inkjet printing

If you use any of the types of paper listed above, they may damage your machine. This damage is not covered under any Brother warranty or service agreement.

Envelopes

Most envelopes designed for laser printers will be suitable for your machine. However, some envelopes may have feed and print-quality problems because of the way they have been made. A suitable envelope should have edges with straight, well-creased folds and the leading edge should not be thicker than two sheets of paper. The envelope should lie flat and not be of baggy or flimsy construction. You should buy quality envelopes from a supplier who understands that you will be using the envelopes in a laser machine.

Envelopes can be fed from manual feed slot one at a time. We recommend that you print a test envelope to make sure the print results are what you want before you print or purchase a large quantity of envelopes.

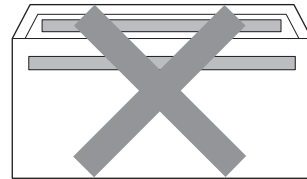
Types of envelopes to avoid

! IMPORTANT

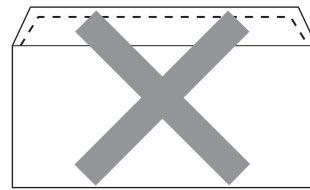
DO NOT use envelopes:

- that are damaged, curled, wrinkled or an unusual shape
- that are extremely shiny or textured
- with clasps, staples, snaps or tie strings
- with self-adhesive closures
- that are of a baggy construction
- that are not sharply creased
- that are embossed (have raised writing on them)
- that were previously printed by a laser machine
- that are pre-printed on the inside
- that cannot be arranged neatly when stacked
- that are made of paper that weighs more than the paper weight specifications for the machine

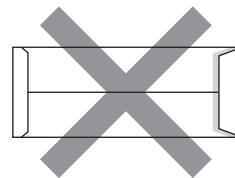
- with edges that are not straight or consistently square
- with windows, holes, cut-outs or perforations
- with glue on surface as shown in figure below



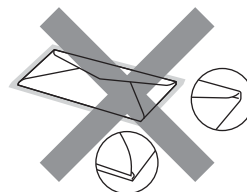
- with double flaps as shown in figure below



- with sealing flaps that are not folded down when purchased
- with sealing flaps as shown in figure below



- with each side folded as shown in figure below



If you use any of the types of envelopes listed above, they may damage your machine. This damage may not be covered under any Brother warranty or service agreement.

Labels

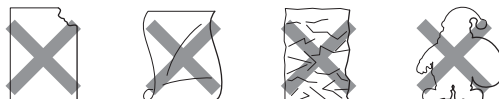
The machine will print on most types of labels designed for use with a laser machine. Labels should have an adhesive that is acrylic-based since this material is more stable at the high temperatures in the fuser unit. Adhesives should not come in contact with any part of the machine, because the label stock may stick to the drum unit or rollers and cause jams and print quality problems. No adhesive should be exposed between the labels. Labels should be arranged so that they cover the entire length and width of the sheet. Using labels with spaces may result in labels peeling off and causing serious jams or print problems.

All labels used in this machine must be able to withstand a temperature of 392 degrees Fahrenheit (200 degrees centigrade) for a period of 0.1 seconds.

Do not feed a label sheet through the machine more than one time.

Types of labels to avoid

Do not use labels that are damaged, curled, wrinkled or an unusual shape.



! IMPORTANT

- Avoid feeding labels with the carrier sheet exposed because your machine will be damaged.
- Label sheets should not exceed the paper weight specifications described in this User's Guide. Labels exceeding this specification may not feed or print properly and may cause damage to your machine.
- DO NOT insert labels that have previously been used or that have labels missing from the sheet.

How to load documents

You can make copies and scan from the ADF* (Automatic Document Feeder) (*For DCP-7065DN) and the scanner glass.

Using the automatic document feeder (ADF) (For DCP-7065DN)

The ADF can hold up to 35 pages and feeds each sheet individually. Use standard 20 lb (80 g/m²) paper and always fan the pages before putting them in the ADF.

Document Sizes Supported

Length:	5.8 to 14 in. (147.3 to 355.6 mm)
Width:	5.8 to 8.5 in. (147.3 to 215.9 mm)
Weight:	17 to 24 lb (64 to 90 g/m ²)

How to load documents

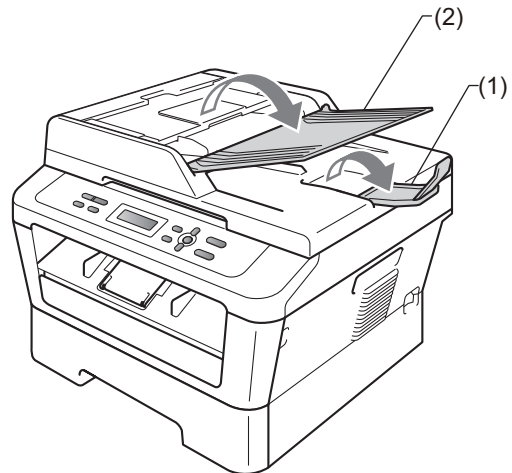
! IMPORTANT

- DO NOT leave thick documents on the scanner glass. If you do this, the ADF may jam.
- DO NOT use paper that is curled, wrinkled, folded, ripped, stapled, paper-clipped, pasted or taped.
- DO NOT use cardboard, newspaper or fabric.
- To avoid damaging your machine while using the ADF, DO NOT pull on the document while it is feeding.

Note

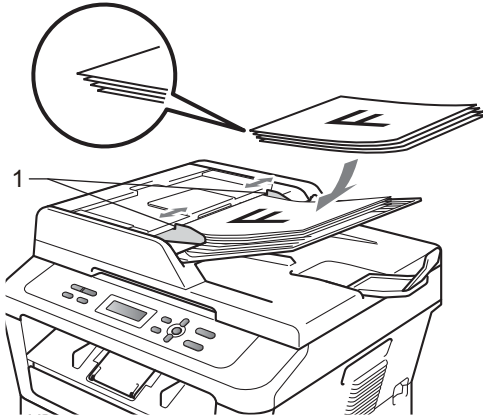
- To scan documents that are not suitable for the ADF, see *Using the scanner glass* on page 22.
- It is easier to use the ADF if you are loading a multiple page document.
- Make sure documents with correction fluid or written with ink are completely dry.

- 1 Lift up and unfold the ADF document output support flap (1).
Unfold the ADF document support (2).

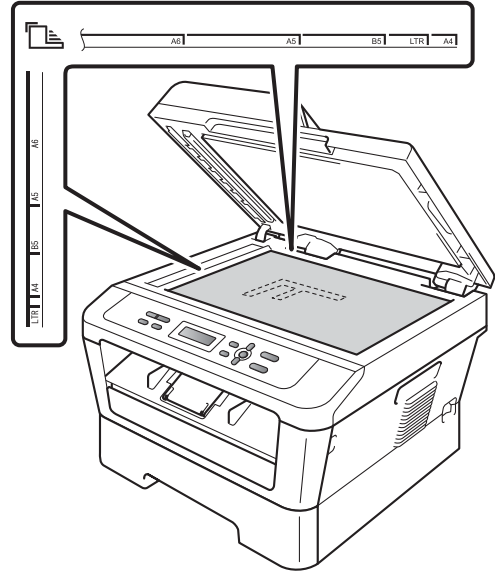


- 2 Fan the pages well.
- 3 Place your document *face up top edge first*, in the ADF until the LCD display message changes and you feel it touch the feed rollers.

- Adjust the paper guides (1) to fit the width of your document.



- Using the document guidelines on the left and top, place the document *face down* in the upper left corner of the scanner glass.



! IMPORTANT

- To avoid damaging your machine while using the ADF, DO NOT pull on the document while it is feeding.
- To scan non-standard documents, see *Using the scanner glass* on page 22.

Using the scanner glass

You can use the scanner glass to copy or scan pages of a book one page at a time.

Document Sizes Supported

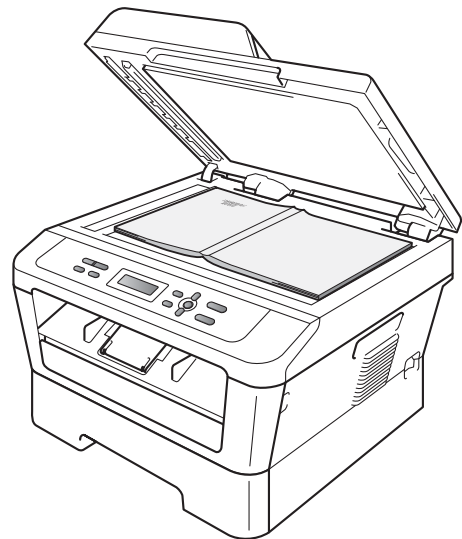
Length:	Up to 11.7 in. (297.0 mm)
Width:	Up to 8.5 in. (215.9 mm)
Weight:	Up to 4.4 lb (2.0 kg)

How to load documents



Note

To use the scanner glass, the ADF must be empty.



- Lift the document cover.

3 Close the document cover.

! IMPORTANT

If the document is a book or is thick, do not slam or press on the cover.

4

Making copies

How to copy

The following steps show the basic copy operation. For details about each option, see the *Advanced User's Guide* on the CD-ROM.



Stack 100% Copies:01
 □□■□□ Auto

- 1 Do one of the following to load your document:
 - (For DCP-7065DN) Place the document *face up* in the ADF. (See *Using the automatic document feeder (ADF)* (For DCP-7065DN) on page 21.)
 - Load your document *face down* on the scanner glass. (See *Using the scanner glass* on page 22.)
- 2 If you want to make a single copy, press **Start**.
If you want to make multiple copies, press repeatedly or hold down ▲ or ▼ to increase or decrease the number of copies, and then press **Start**.

Stop copying

To stop copying, press **Stop/Exit**.

Copy settings

You can change the following copy settings:

Press **Menu**, **Options** or **Duplex** and then press ▲ or ▼ to scroll through the copy settings. When the setting you want is displayed, press **OK**.

For details about changing the copy settings, see *Copy settings* in *Chapter 2* of the *Advanced User's Guide*.

You can change the following copy settings:

- Enlarge/Reduce
- Quality
- Stack (up to 99 copies)
- Sort ¹
- Brightness
- Contrast
- Page Layout
- Duplex

¹ For DCP-7065DN


Printing a document


The machine can receive data from your computer and print it. To print from a computer, install the printer driver. (See *Printing for Windows*[®] or *Printing and Faxing* for Macintosh in the *Software User's Guide* for details about the print settings.)

- 1 Install the Brother printer driver on the Installation CD-ROM. (See the *Quick Setup Guide*.)
- 2 From your application, choose the Print command.
- 3 Choose the name of your machine in the **Print** dialog box and click **Properties**.
- 4 Choose the settings you want in the **Properties** dialog box.
 - Paper Size
 - Orientation
 - Copies
 - Media Type
 - Resolution
 - Print Settings
 - Multiple Page
 - Duplex / Booklet
 - Paper Source
- 5 Click **OK** to begin printing.

Scanning a document


There are several ways to scan documents.

You can use the  (**SCAN**) key on the machine or the scanner drivers on your computer.

- 1 To use the machine as a scanner, install a scanner driver. If the machine is on a Network, configure it with a TCP/IP address.
 - Install the scanner drivers on the Installation CD-ROM. (See the *Quick Setup Guide* and *Scanning* in the *Software User's Guide*.)
 - Configure the machine with a TCP/IP address if network scanning does not work. (See *Configuring Network Scanning* in the *Software User's Guide*.)
- 2 Load your document. (See *How to load documents* on page 21.)
 - (DCP-7065DN) Use the ADF to scan multiple pages of documents. It feeds each sheet automatically.
 - Use the scanner glass to scan a page of a book or one sheet at a time.
- 3 Do one of the following:
 - To scan using the  (**SCAN**) key, go to *Scanning using the scan key* on page 26.
 - To scan using a scanner driver at your computer, go to *Scanning using a scanner driver* on page 27.

Scanning using the scan key

For more information, see *Using the Scan key* in the *Software User's Guide*.

- 1 Press the  (**SCAN**) key.
- 2 Press **OK** to choose *Scan to PC*.
- 3 Choose the scan mode you want.
Scan to:
 - File
 - E-mail
 - OCR ¹
 - Image

¹ (Macintosh users)
This function is available after you download and install Presto! PageManager from http://nj.newsoft.com.tw/download/brother/PM9SEInstaller_BR_multilang.dmg
- 4 (For DCP-7065DN and HL-2280DW network users)
Choose the computer you want to send the data to.
- 5 Press **Start** to begin scanning.

Scanning using a scanner driver

For more information, see *Scanning a document using the TWAIN driver* or *Scanning a document using the WIA driver* in the *Software User's Guide*.

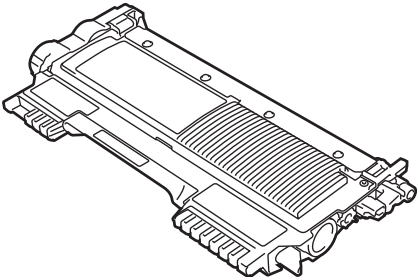
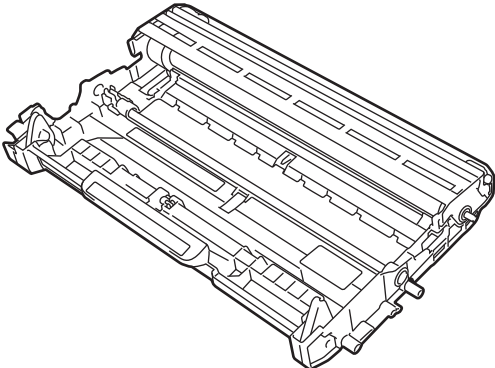
- 1 Start a scanning application and click the **Scan** button.
- 2 Adjust the settings such as Resolution, Brightness and Scan Type in the Scanner Setup dialog box.
- 3 Click **Start** or **Scan** to begin scanning.

A

Routine maintenance

Replacing the consumable items

The machine will indicate when it is time to replace the consumable items. (See *Replacing the toner cartridge* on page 29 and *Replacing the drum unit* on page 35.) To avoid any inconvenience, you may want to buy spare consumable items before the machine stops printing.

Toner cartridge	Drum unit
See <i>Replacing the toner cartridge</i> on page 29. Order No. TN-420, TN-450	See <i>Replacing the drum unit</i> on page 35. Order No. DR-420
	

Note

- Go to <http://www.brother.com/original/index.html> for instructions on how to return your used consumable items to the Brother collection program. If you choose not to return your used consumable, please discard the used consumable according to local regulations, keeping it separate from domestic waste. If you have questions, call your local waste disposal office.
- We recommend placing used consumable items on a piece of paper to prevent accidentally spilling or scattering the material inside.
- If you use paper that is not a direct equivalent for the recommended paper, the life of consumable items and machine parts may be reduced.
- The projected life of the toner cartridges is based on ISO/IEC 19752. Frequency of replacement will vary depending on the complexity of printed pages, percentage of coverage and type of media used.

Replacing the toner cartridge

Order No. For the Order No. of toner cartridges, see *Replacing the consumable items* on page 28.

The Standard toner cartridge can print approximately 1,200 pages¹. The High Yield toner cartridge can print approximately 2,600 pages¹. Actual page count will vary depending on your average type of document. When a toner cartridge is running low, the LCD shows `Toner Low`.

The toner cartridge that comes supplied with the machine is a Starter toner cartridge that will need to be replaced after approximately 700 pages¹.

¹ Approx. cartridge yield is declared in accordance with ISO/IEC 19752.

! IMPORTANT

Brother strongly recommends that you DO NOT refill the toner cartridge provided with your machine. We also strongly recommend that you continue to use only Genuine Brother Brand replacement toner cartridges. Use or attempted use of potentially incompatible toner and/or cartridges in the Brother machine may cause damage to the machine and/or may result in unsatisfactory print quality. Our warranty coverage does not apply to any problem that is caused by the use of unauthorized third-party toner and/or cartridges. To protect your investment and obtain premium performance from the Brother machine, we strongly recommend the use of Genuine Brother Supplies.

Note

- It is a good idea to keep a new toner cartridge ready for use when you see the `Toner Low` warning.
- To ensure high quality printing, we recommend that you use only Genuine Brother Brand toner cartridges. When you want to buy toner cartridges, please call Brother Customer Service.
- We recommend that you clean the machine when you replace the toner cartridge. See *Cleaning and Checking the machine* in *Appendix A* of the *Advanced User's Guide*.
- If you change the print density setting for lighter or darker printing, the amount of toner used will change.
- Wait to unpack the toner cartridge until immediately before you put it into the machine.

Toner Low

`Toner Low`

If the LCD shows `Toner Low`, buy a new toner cartridge and have it ready before you get a `Replace Toner` message.

Replace Toner

When the following message appears on the LCD, you need to replace the toner cartridge:

`Replace Toner`

The machine will stop printing until you replace the toner cartridge. A new and unused genuine Brother toner cartridge will reset the `Replace Toner` mode.

Note

To force the machine to continue printing after the LCD shows *Replace Toner*, set the machine to Continue mode (Press **Menu**, press **▲** or **▼** to choose *1. General Setup* and press **OK**, press **▲** or **▼** to choose *4. Replace Toner*, and press **OK**, press **▲** or **▼** to choose *Continue* and press **OK**). The machine will continue printing until the LCD shows *Toner Ended*. (For details about the Toner settings, see *Toner Settings* in *Chapter 1 of the Advanced User's Guide*.)

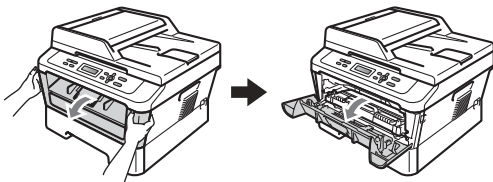
Toner Ended

Toner Ended

The machine stops printing until you replace the toner cartridge with a new one. (See *Replacing the toner cartridge* on page 30.)

Replacing the toner cartridge

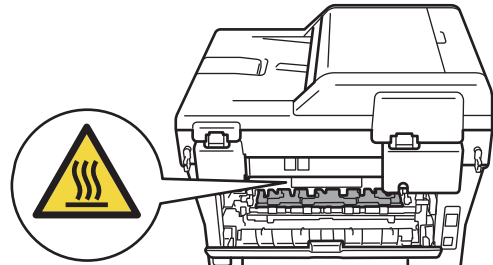
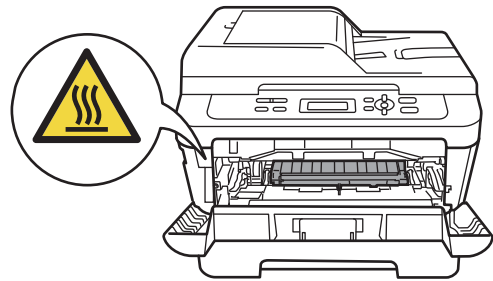
- 1 Make sure that the machine is turned on.
- 2 Open the front cover and leave the machine turned on for 10 minutes to cool down.



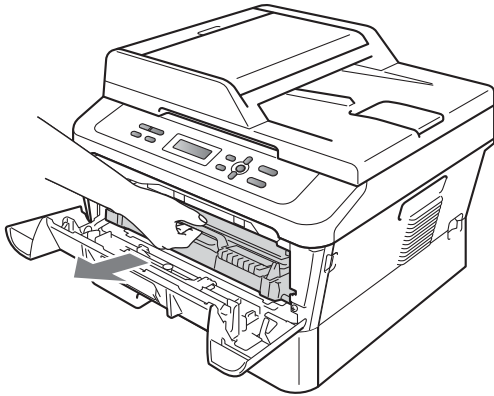
WARNING

HOT SURFACE

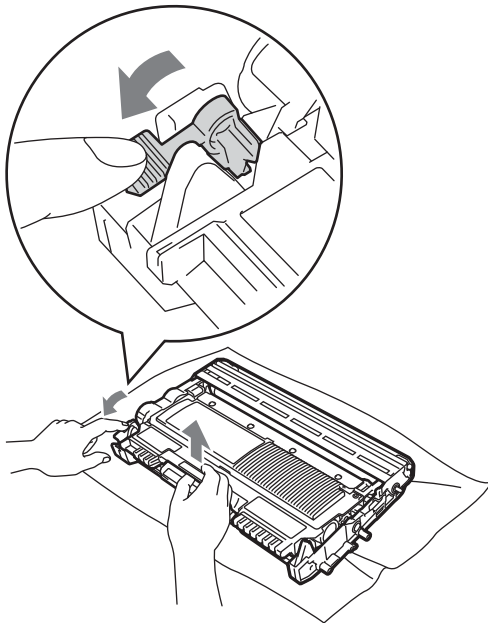
After you have just used the machine, some internal parts of the machine will be extremely hot. When you open the front or back cover (back output tray) of the machine, DO NOT touch the shaded parts shown in the illustration. If you do this, you may burn yourself.



- 3 Take out the drum unit and toner cartridge assembly.



- 4 Push down the green lock lever and take the toner cartridge out of the drum unit.



⚠ WARNING

DO NOT put a toner cartridge into a fire. It could explode, resulting in injuries.

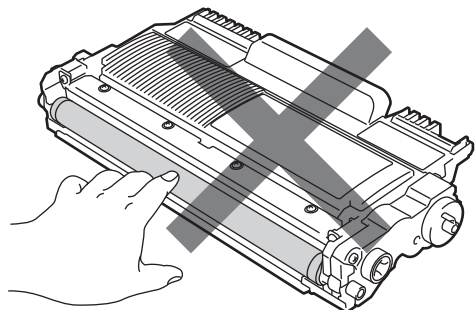
DO NOT use cleaning materials that contain ammonia, alcohol, any type of spray or any type of flammable substance to clean the inside or outside of the machine. Doing this may cause a fire or electrical shock. See *To use the product safely* in the *Safety and Legal* booklet for how to clean the machine.

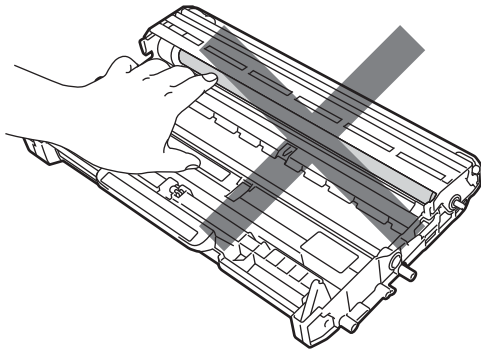


Be careful not to inhale toner.

! IMPORTANT

- We recommend that you place the drum unit and/or the toner cartridge on a clean, flat, level, stable surface with a sheet of disposable paper or cloth underneath it in case you accidentally spill or scatter toner.
- Handle the toner cartridge carefully. If toner scatters on your hands or clothes, immediately wipe or wash it off with cold water.
- To avoid print quality problems, DO NOT touch the shaded parts shown in the illustration.

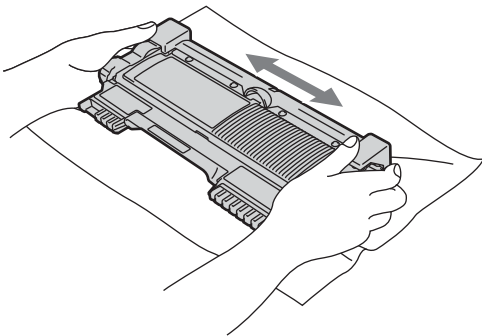




Note

- Be sure to seal up the toner cartridge tightly in a suitable bag so that toner powder does not spill out of the cartridge.
- Go to <http://www.brother.com/original/index.html> for instructions on how to return your used consumable items to the Brother collection program. If you choose not to return your used consumable, please discard the used consumable according to local regulations, keeping it separate from domestic waste. If you have questions, call your local waste disposal office.

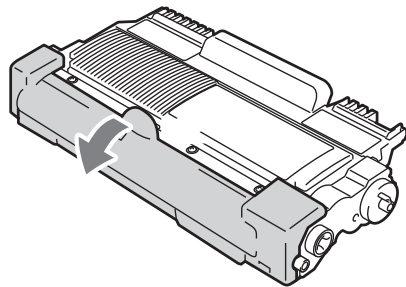
- 5 Unpack the new toner cartridge. Hold the cartridge level with both hands and gently shake it from side to side several times to spread the toner evenly inside the cartridge.



! IMPORTANT

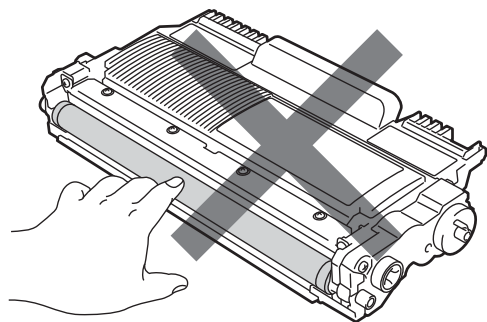
Wait to unpack the new toner cartridge until immediately before you put it in the machine. If a toner cartridge is left unpacked for a long time, the toner life will be shortened.

- 6 Pull off the protective cover.

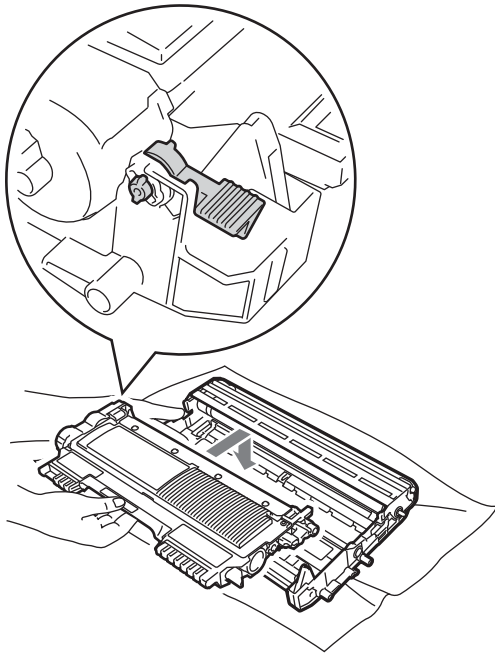
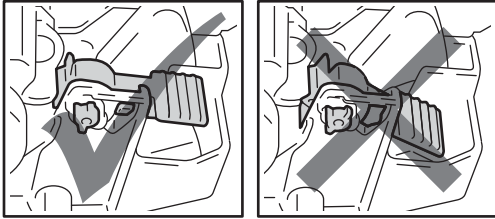


! IMPORTANT

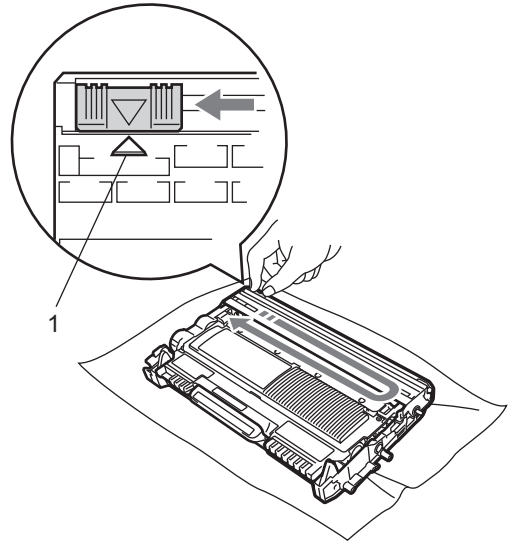
Put the toner cartridge in the drum unit immediately after you have removed the protective cover. To prevent any degradation to the print quality, **DO NOT** touch the shaded parts shown in the illustrations.



- 7 Put the new toner cartridge firmly into the drum unit until you hear it lock into place. If you put it in properly, the green lock lever will lift automatically.



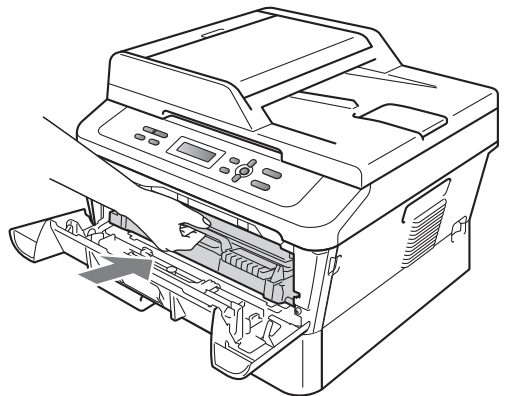
- 8 Clean the primary corona wire inside the drum unit by gently sliding the green tab from left to right and right to left several times.



 **Note**

Be sure to return the tab to the home position (▲) (1). If you do not, printed pages may have a vertical stripe.

- 9 Put the drum unit and toner cartridge assembly back into the machine. Close the front cover.



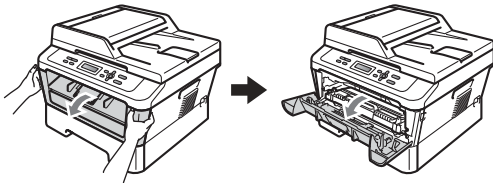
 **Note**

After replacing the toner cartridge, DO NOT turn off the machine's power switch or open the front cover until the LCD returns to Ready mode.

Cleaning the corona wire

If you have print quality problems, clean the corona wire as follows:

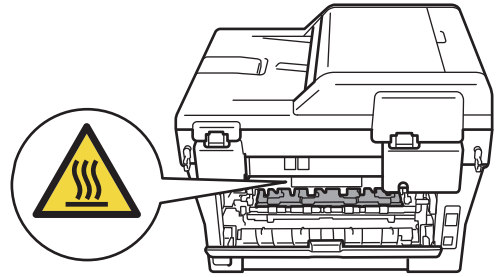
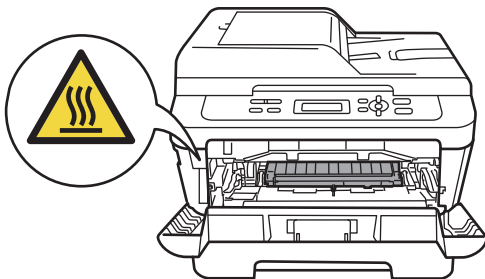
- 1 Open the front cover and leave the machine turned on for 10 minutes to cool down.



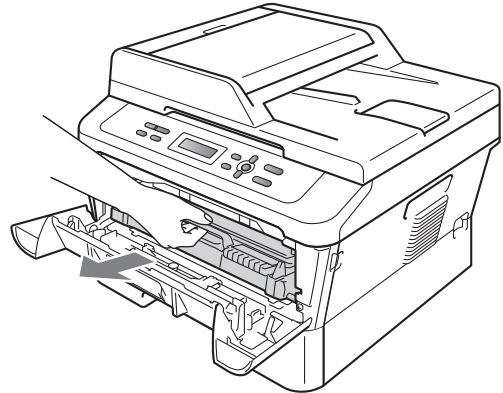
WARNING

HOT SURFACE

After you have just used the machine, some internal parts of the machine will be extremely hot. When you open the front or back cover (back output tray) of the machine, DO NOT touch the shaded parts shown in the illustration. If you do this, you may burn yourself.



- 2 Slowly take out the drum unit and toner cartridge assembly.

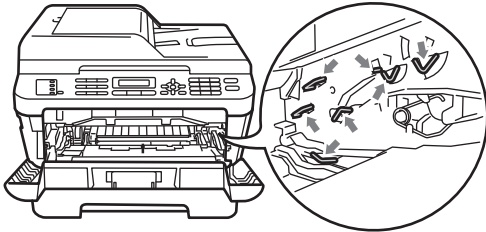


CAUTION

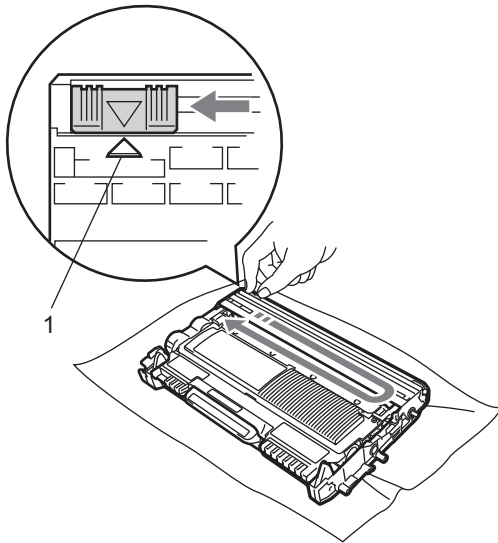
We recommend that you place the drum unit and toner cartridge assembly on a clean, flat surface with a sheet of disposable paper or cloth underneath it in case you accidentally spill or scatter toner.

Handle the toner cartridge carefully. If toner scatters on your hands or clothes, immediately wipe or wash it off with cold water.

To prevent damage to the machine caused by static electricity, DO NOT touch the electrodes shown in the illustration.



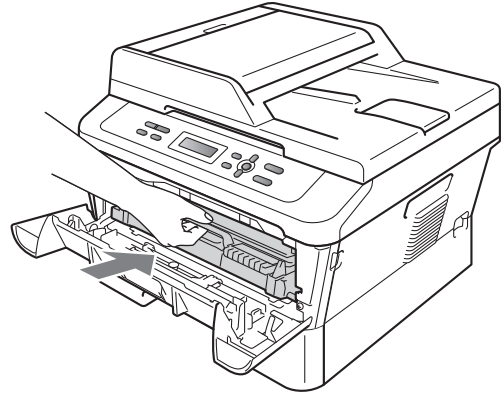
- 3 Clean the corona wire inside the drum unit by gently sliding the green tab from left to right and right to left several times.



 **Note**

Be sure to return the tab to the home position (▲) (1). If you do not, printed pages may have a vertical stripe.

- 4 Put the drum unit and toner cartridge assembly back into the machine. Close the front cover.



Replacing the drum unit

Order No. DR-420

A new drum unit can print approximately 12,000 Letter or A4 size single-sided pages.

 **Note**

- There are many factors that determine the actual drum life, such as the temperature, humidity, type of paper, type of toner used and so on. Under ideal conditions, the average drum life is estimated at approximately 12,000 pages. The actual number of pages that your drum will print may be significantly less than this estimate. Because we have no control over the many factors that determine the actual drum life, we cannot guarantee a minimum number of pages that will be printed by your drum.
- For best performance, use only genuine Brother toner. The machine should be used only in a clean, dust-free environment with adequate ventilation.

- Printing with a non-Brother drum unit may reduce not only the print quality but also the quality and life of the machine itself. Warranty coverage does not apply to problems caused by the use of a non-Brother drum unit.

Drum Error

Drum Error

The corona wire has become dirty. Clean the corona wire in the drum unit. (See *Cleaning the corona wire* on page 34.)

If you cleaned the corona wire and Drum Error was not cleared, replace the drum unit with a new one.

Replace Drum

Replace Drum

Please replace the drum unit with a new one. We recommend a genuine Brother drum unit be installed at this time.

After replacement, reset the drum counter by following the instructions included with the new drum unit.

Drum Stop

Drum Stop

We cannot guarantee the print quality. Please replace the drum unit with a new one. We recommend a genuine Brother drum unit be installed at this time.

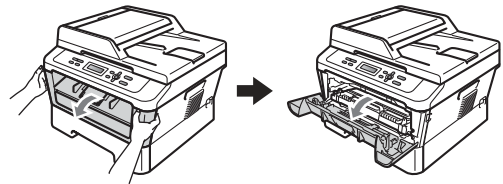
After replacement, reset the drum counter by following the instructions included with the new drum unit.

Replacing the drum unit

! IMPORTANT

- While removing the drum unit, handle it carefully because it may contain toner. If toner scatters on your hands or clothes, immediately wipe or wash it off with cold water.
- Every time you replace the drum unit, clean the inside of the machine. (See *Cleaning and Checking the machine in Appendix A of the Advanced User's Guide.*)

- 1 Make sure that the machine is turned on.
- 2 Open the front cover and leave the machine turned on for 10 minutes to cool down.

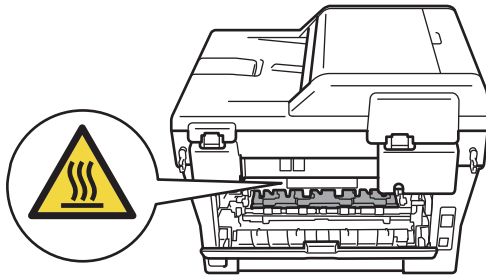
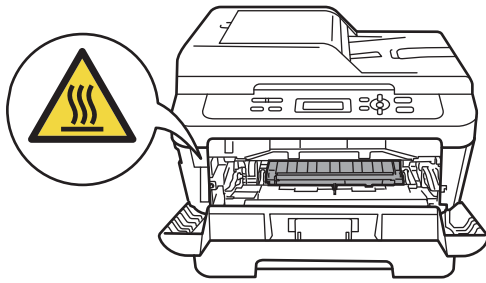


! WARNING

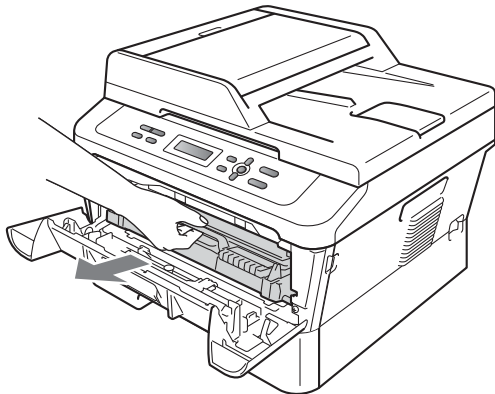


HOT SURFACE

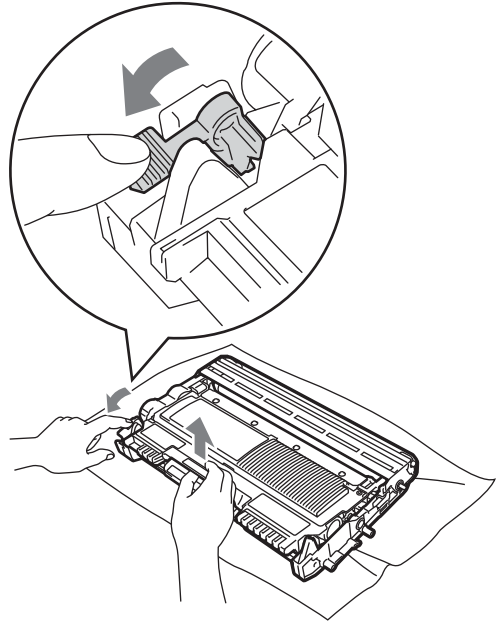
After you have just used the machine, some internal parts of the machine will be extremely hot. When you open the front or back cover (back output tray) of the machine, DO NOT touch the shaded parts shown in the illustration. If you do this, you may burn yourself.



- 3 Take out the drum unit and toner cartridge assembly.



- 4 Push down the green lock lever and take the toner cartridge out of the drum unit.



A

! WARNING

DO NOT put a toner cartridge into a fire. It could explode, resulting in injuries.

DO NOT use cleaning materials that contain ammonia, alcohol, any type of spray, or any type of flammable substance to clean the outside or inside of the machine. Doing this may cause a fire or electrical shock.

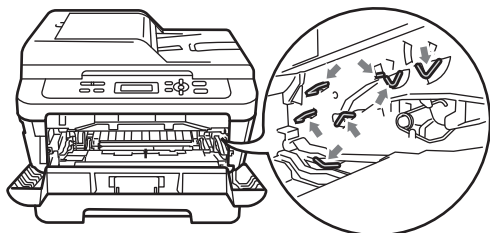
See *To use the product safely* in the *Safety and Legal booklet* for how to clean the machine.



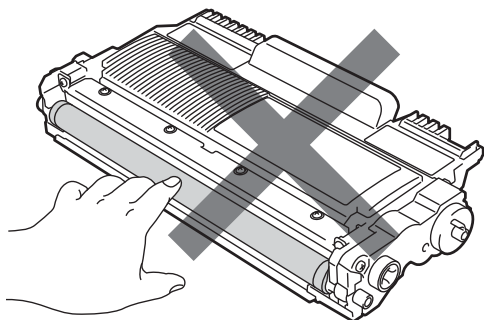
Be careful not to inhale toner.

! IMPORTANT

- To prevent damage to the machine from static electricity, **DO NOT** touch the electrodes shown in the illustration.



- Handle the toner cartridge carefully. If toner scatters on your hands or clothes, immediately wipe or wash it off with cold water.
- We recommend that you place the drum unit and/or the toner cartridge on a clean, flat surface with a sheet of disposable paper or cloth underneath it in case you accidentally spill or scatter toner.
- To avoid print quality problems, **DO NOT** touch the shaded parts shown in the illustrations.



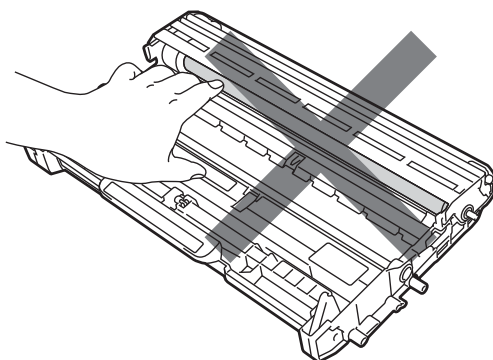
✍ Note

Go to <http://www.brother.com/original/index.html> for instructions on how to return your used consumable items to the Brother collection program. If you choose not to return your used consumable, please discard the used consumable according to local regulations, keeping it separate from domestic waste. If you have questions, call your local waste disposal office.

5. Unpack the new drum unit.

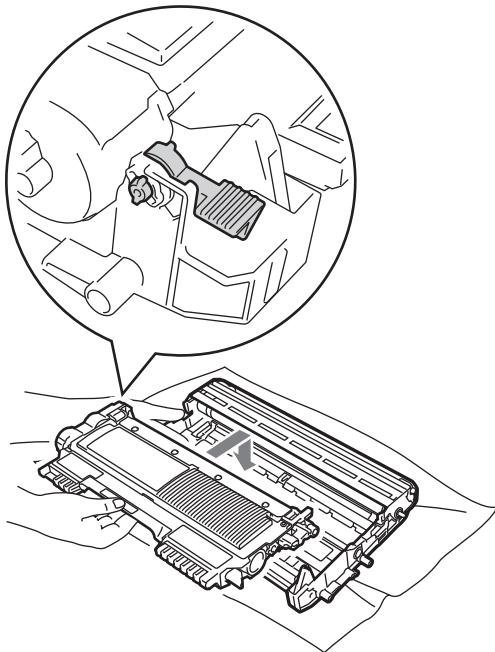
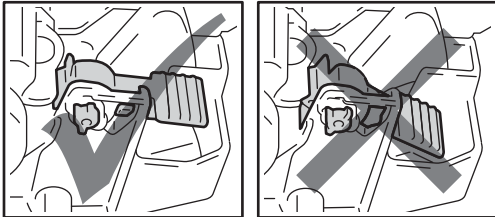
! IMPORTANT

- To avoid print quality problems, **DO NOT** touch the shaded parts shown in the illustrations.



- Wait to unpack the new drum unit until immediately before you put it in the machine. Exposure to direct sunlight or room light may damage the drum unit.

- 6 Put the toner cartridge firmly into the new drum unit until you hear it lock into place. If you put the cartridge in properly, the green lock lever will lift automatically.



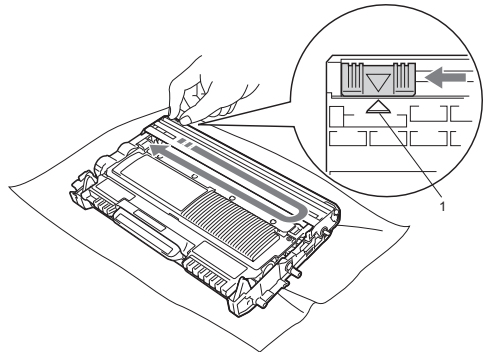
Note

Make sure that you put in the toner cartridge properly or it may separate from the drum unit.

- 7 Clean the corona wire of the drum unit by gently sliding the green tab from left to right and right to left several times.

CAUTION

Be sure to return the green tab to the home position (a) (1). If you do not, printed pages may have a vertical stripe.



- 8 Put the new drum unit and toner cartridge assembly in the machine.

Resetting the drum counter

When you replace the drum unit with a new one, you need to reset the drum counter by completing the following steps:

- 1 Open the front cover and press **Clear**. To confirm you are installing a new drum unit, press ▲.
- 2 When the LCD shows *Accepted*, close the front cover.

B

Troubleshooting

Error and maintenance messages

As with any sophisticated office product, errors may occur and consumable items may need to be replaced. If this happens, your machine identifies the error or required routine maintenance and shows the appropriate message. The most common error and maintenance messages are shown below.

You can correct most errors and perform routine maintenance by yourself. If you need more help, the Brother Solutions Center offers the latest FAQs and troubleshooting tips:

Visit us at <http://solutions.brother.com/>.

Error Message	Cause	Action
Cartridge Error	The toner cartridge is not installed properly.	Pull out the drum unit and remove the toner cartridge, then re-install the toner cartridge in the drum unit.
Cooling Down Wait for a while	The temperature of the drum unit or toner cartridge is too hot. The machine will pause its current print job and go into cooling down mode. During the cooling down mode, you will hear the cooling fan running while the LCD shows <i>Cooling Down, and Wait for a while</i> .	Make sure that you can hear the fan in the machine spinning and that the exhaust outlet is not blocked by something. If the fan is spinning, remove any obstacles that surround the exhaust outlet, and then leave the machine turned on but do not use it for several minutes. If the fan is not spinning, disconnect the machine from the AC power outlet for several minutes then reconnect it.
Cover is Open	The front cover is not completely closed.	Close the front cover of the machine.
Cover is Open (For DCP-7065DN)	The ADF cover is not completely closed.	Close the ADF cover of the machine.
	The ADF is open while loading a document.	Close the ADF cover of the machine, then press Stop/Exit .
Cover is Open	The fuser cover is not completely closed or paper was jammed in the back of the machine when you turned on the power.	<ul style="list-style-type: none"> ■ Close the fuser cover of the machine. ■ Make sure paper is not jammed inside the back of the machine, and then close the fuser cover and press Start.
Document Jam (For DCP-7065DN)	The document was not inserted or fed properly, or the document scanned from the ADF was too long.	See <i>Document is jammed in the top of the ADF unit (For DCP-7065DN)</i> on page 43 or <i>Using the automatic document feeder (ADF) (For DCP-7065DN)</i> on page 21.
Drum Error	The corona wire on the drum unit needs to be cleaned.	Clean the corona wire on the drum unit. (See <i>Cleaning the corona wire</i> on page 34.)
Drum Stop	It is time to replace the drum unit.	Replace the drum unit. (See <i>Replacing the drum unit</i> on page 36.)

Error Message	Cause	Action
Duplex Disabled	The duplex tray is removed or is not properly installed.	Carefully put the duplex tray into the machine until it clicks into place.
	The back of the machine is not closed completely.	Close the back cover of the machine.
EL Error	The machine has a mechanical problem.	Open the front cover and close it again.
Fuser Error	The temperature of the fuser unit does not rise to a specified temperature within the specified time.	Turn the power switch off, wait a few seconds, and then turn it on again. Leave the machine for 15 minutes with the power turned on.
	The fuser unit is too hot.	
Init Unable XX	The machine has a mechanical problem.	<ul style="list-style-type: none"> ■ Disconnect the machine from the power for several minutes and then reconnect it. ■ If the problem continues, call Brother Customer Service.
Jam Duplex	The paper is jammed in the duplex tray at the back of the machine.	(See <i>Paper is jammed in the Duplex Tray</i> on page 52.)
Jam Inside	The paper is jammed inside the machine.	(See <i>Paper is jammed inside the machine</i> on page 48.)
Jam Rear	The paper is jammed in the back of the machine.	(See <i>Paper is jammed at the back of the machine</i> on page 46.)
Jam Tray	The paper is jammed in the paper tray of the machine.	(See <i>Paper is jammed in the standard paper tray</i> on page 45.)
No Paper	The machine is out of paper or paper is not properly loaded in the paper tray.	<p>Do one of the following:</p> <ul style="list-style-type: none"> ■ Refill the paper in the paper tray and press Start. ■ Remove the paper and load it again. Then press Start. ■ If the problem is not resolved, the paper pick-up roller may need to be cleaned. Clean the paper pick-up roller. (See <i>Cleaning the paper pick-up rollers</i> in Appendix A of the <i>Advanced User's Guide</i>.)
Manual Feed	Manual feed was selected as the paper source when there was no paper in the manual feed slot.	Place a sheet of paper in the manual feed slot. (See <i>Loading paper in the manual feed slot</i> on page 10.)
No Toner	The toner cartridge is not installed correctly.	Pull out the drum unit. Take out the toner cartridge and then put it back into the drum unit.

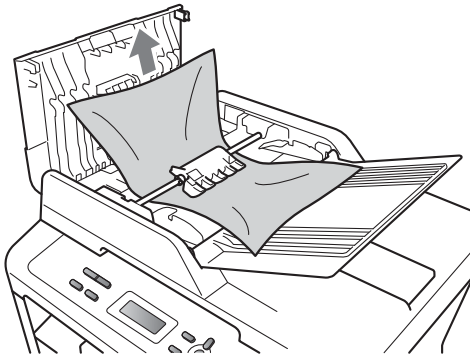


Error Message	Cause	Action
Out of Memory	The machine's memory is full.	<p>Do one of the following:</p> <ul style="list-style-type: none"> ■ Press Start to copy the scanned pages. (Copy operation in progress) ■ Press Stop/Exit and wait until the other operations in progress finish, and then try again. ■ Reduce print resolution. (See the <i>Basic tab in the Software User's Guide.</i>)
Print Unable XX	The machine has a mechanical problem.	<p>Do one of the following:</p> <ul style="list-style-type: none"> ■ Disconnect the machine from the AC power outlet for several minutes, then reconnect it. ■ If the problem continues, call Brother Customer Service.
Replace Drum	It is time to replace the drum unit.	<p>Replace the drum unit. (See <i>Replacing the drum unit</i> on page 36.)</p>
	The drum unit counter was not reset when a new drum was installed.	<p>Reset the drum unit counter. (See <i>Resetting the drum counter</i> on page 39.)</p>
Replace Toner	The machine will stop printing until you replace the toner cartridge.	<p>If you have set the Toner setting to Stop, replace the toner cartridge with a new and unused genuine Brother toner cartridge. This will reset the Replace Toner mode. (See <i>Replacing the toner cartridge</i> on page 29.)</p> <p>If you have set the Toner setting to Continue, the machine will continue to print data until the LCD shows Toner Ended. For how to operate the machine in Continue mode, see <i>Toner Settings</i> in <i>Chapter 1 of the Advanced User's Guide</i>.</p>
Size Error DX	The paper in the tray is not a suitable size for automatic duplex printing.	<p>Load either Letter, Legal or Folio paper for automatic duplex printing, and then press Start. (See <i>Print media</i> on page 85.)</p>
Toner Ended	It is time to replace the toner cartridge.	<p>Replace the toner cartridge with a new one. (See <i>Replacing the toner cartridge</i> on page 29.)</p>
Toner Low	You will need to replace the toner cartridge soon.	<p>Buy a new toner cartridge before you get a Replace Toner message.</p>

Document Jams

Document is jammed in the top of the ADF unit (For DCP-7065DN)

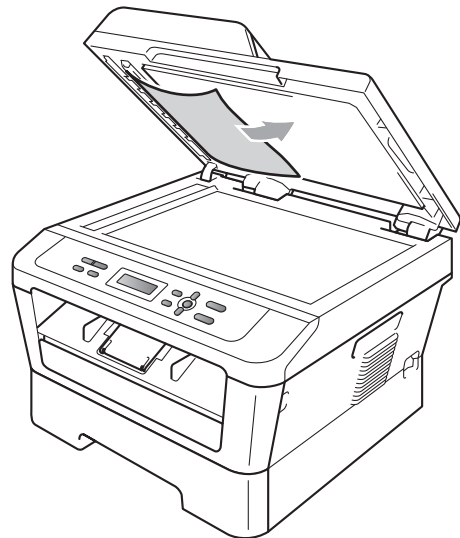
- 1 Take out any paper from the ADF that is not jammed.
- 2 Open the ADF cover.
- 3 Pull the jammed document out to the left.



- 4 Close the ADF cover.
- 5 Press **Stop/Exit**.

Document is jammed under the document cover (For DCP-7065DN)

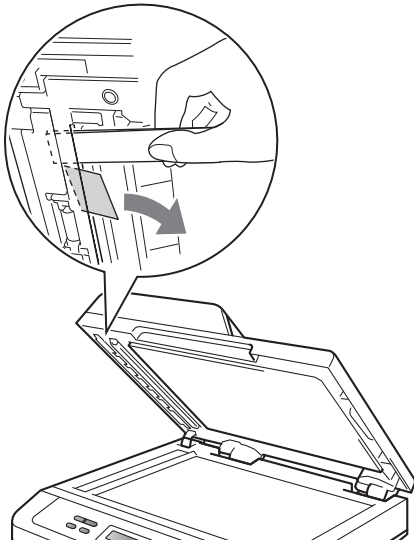
- 1 Take out any paper from the ADF that is not jammed.
- 2 Lift the document cover.
- 3 Pull the jammed document out to the right.



- 4 Close the document cover.
- 5 Press **Stop/Exit**.

Removing small documents jammed in the ADF (For DCP-7065DN)

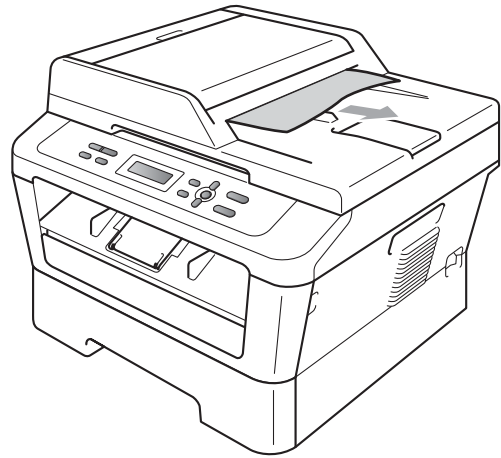
- 1 Lift the document cover.
- 2 Insert a piece of stiff paper, such as cardstock, into the ADF to push any small paper scraps through.



- 3 Close the document cover.
- 4 Press **Stop/Exit**.

Document is jammed at the output tray (For DCP-7065DN)

- 1 Take out any paper from the ADF that is not jammed.
- 2 Pull the jammed document out to the right.



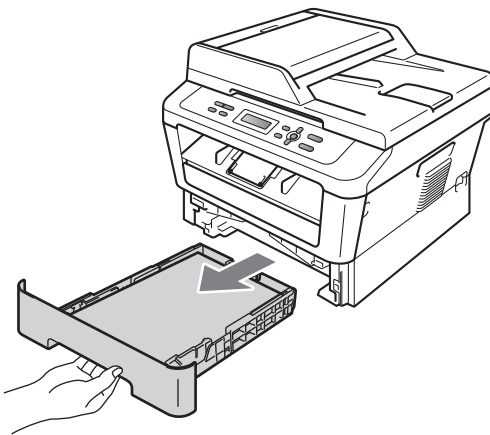
- 3 Press **Stop/Exit**.

Paper Jams

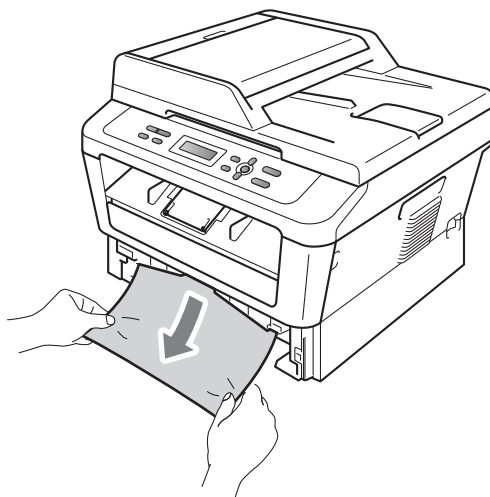
Paper is jammed in the standard paper tray

If the LCD shows Jam Tray, follow these steps:

- 1 Pull the paper tray completely out of the machine.



- 2 Use both hands to slowly pull out the jammed paper.



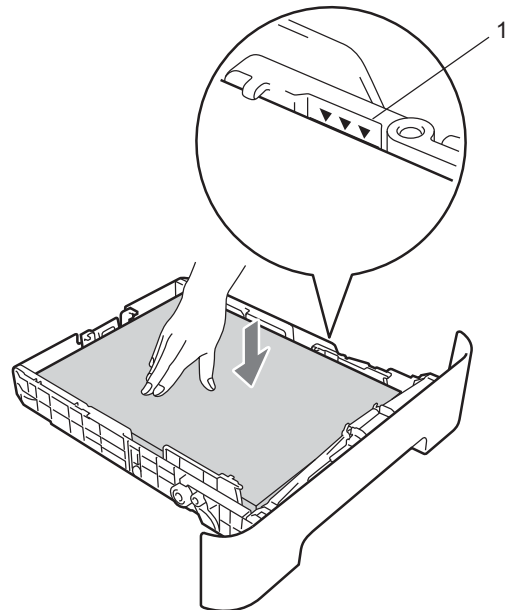
! IMPORTANT

If the paper cannot easily be removed in this direction, stop and follow the instructions for *Paper is jammed inside the machine* on page 48.

Note

Pulling out the jammed paper downwards allows you to remove the paper more easily.

- 3 Make sure the paper is below the maximum paper mark (▼▼▼) (1) of the paper tray. While pressing the green paper-guide release lever, slide the paper guides to fit the paper size. Make sure that the guides are firmly in the slots. (See *Loading paper in the standard paper tray* on page 8.)

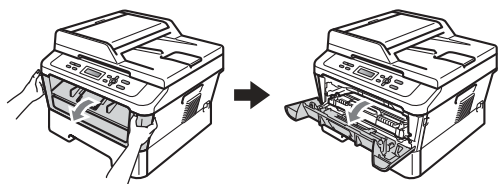


- 4 Put the paper tray firmly back in the machine.

Paper is jammed at the back of the machine

If the LCD shows **Jam Rear**, a paper jam occurred behind the back cover. Follow these steps:

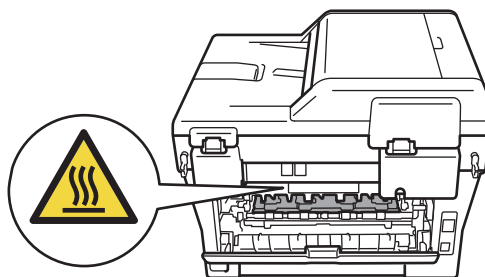
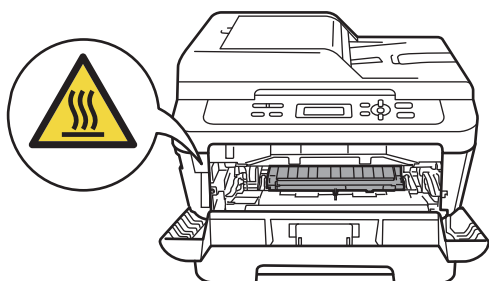
- 1 Open the front cover. Leave the machine turned on for 10 minutes to cool down.



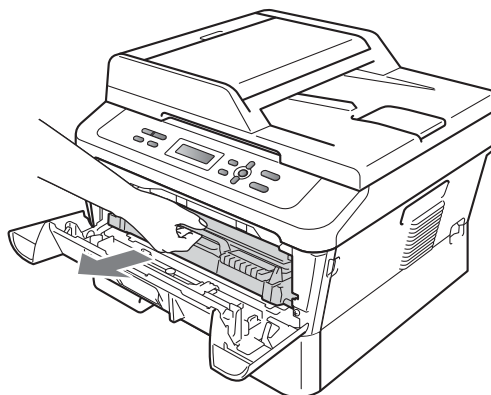
WARNING

HOT SURFACE

After you have just used the machine, some internal parts of the machine will be extremely hot. When you open the front or back cover (back output tray) of the machine, **DO NOT** touch the shaded parts shown in the illustration. If you do this, you may burn yourself.

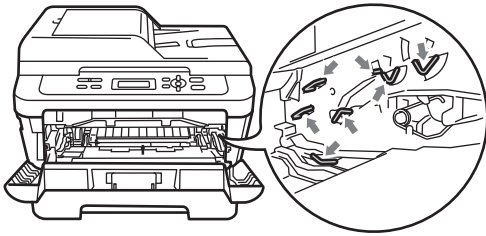


- 2 Slowly take out the drum unit and toner cartridge assembly.

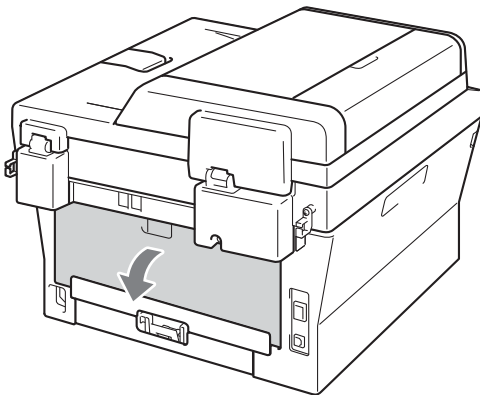


! IMPORTANT

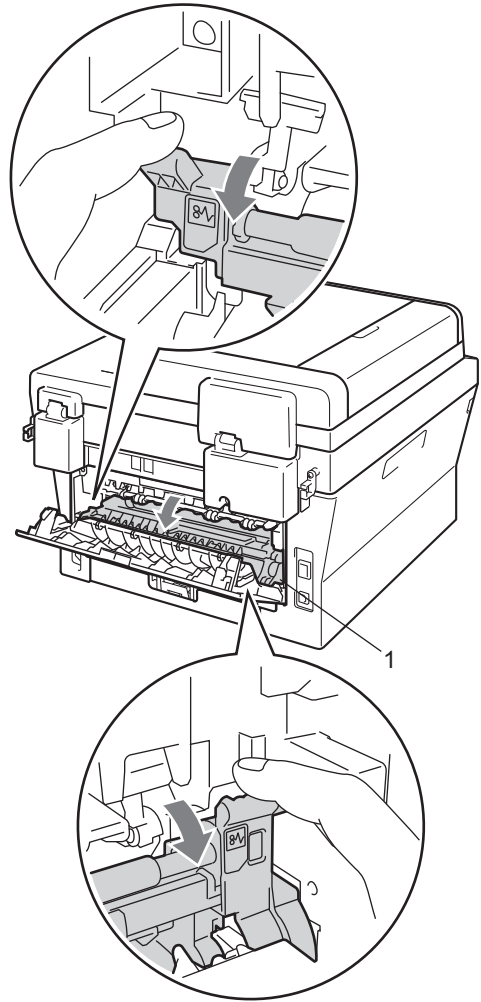
- We recommend that you place the drum unit and the toner cartridges on a clean, flat surface with a sheet of disposable paper or cloth underneath it in case you accidentally spill or scatter toner.
- To prevent damage to the machine caused by static electricity, **DO NOT** touch the electrodes shown in the illustration.



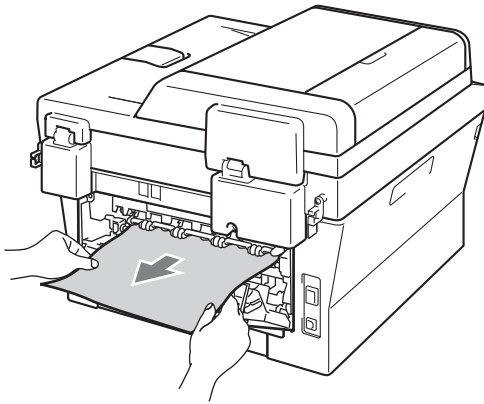
- 3** Open the back cover (face-up output tray).



- 4** Pull down the tabs at the left and right hand sides to open the fuser cover (1).

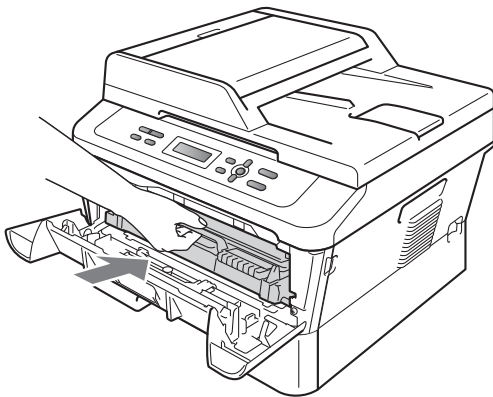


- 5 Using both hands, gently pull the jammed paper out of the fuser unit.



- 6 Close the fuser cover and the back cover (face-up output tray).

- 7 Put the drum unit and toner cartridge assembly back into the machine.

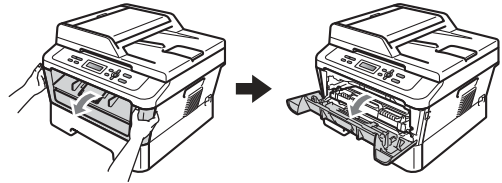


- 8 Close the front cover. If the machine does not start printing automatically, press **Start**.

Paper is jammed inside the machine

If the LCD shows *Jam Inside*, follow these steps:

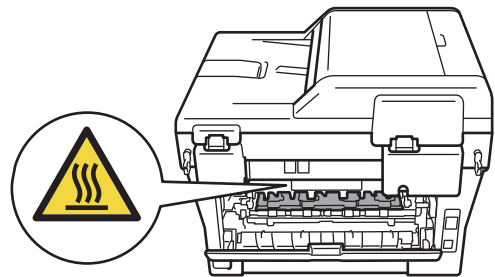
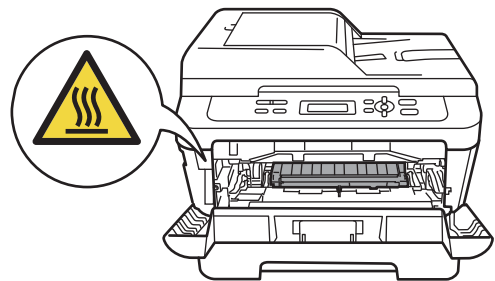
- 1 Leave the machine turned on for 10 minutes to cool down.
- 2 Open the front cover.



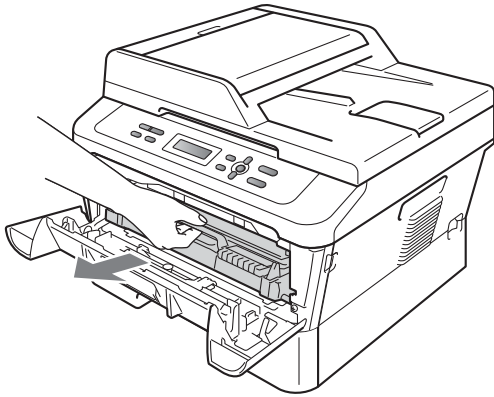
⚠ WARNING

🔥 HOT SURFACE

After you have just used the machine, some internal parts of the machine will be extremely hot. When you open the front or back cover (back output tray) of the machine, **DO NOT** touch the shaded parts shown in the illustration. If you do this, you may burn yourself.



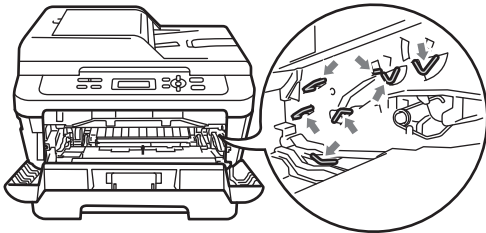
- 3 Slowly take out the drum unit and toner cartridge assembly. The jammed paper may be pulled out with the drum unit and toner cartridge assembly, or this may release the paper so you can pull it out of the inside of the machine.



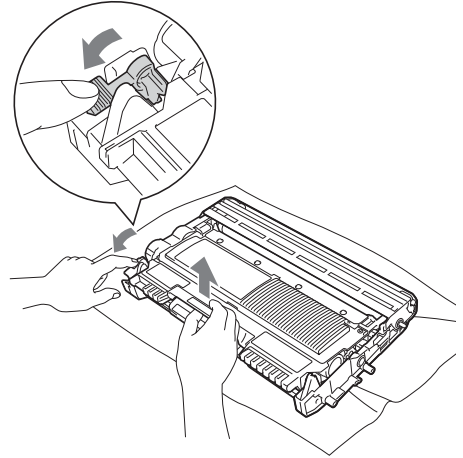
If you can not remove the drum unit and toner cartridge assembly easily, do not use extra force. Instead, go to step 7.

! IMPORTANT

- We recommend that you put the drum unit and toner cartridge assembly on a piece of disposable paper or cloth in case you accidentally spill or scatter toner.
- To prevent damage to the machine from static electricity, DO NOT touch the electrodes shown in the illustration.

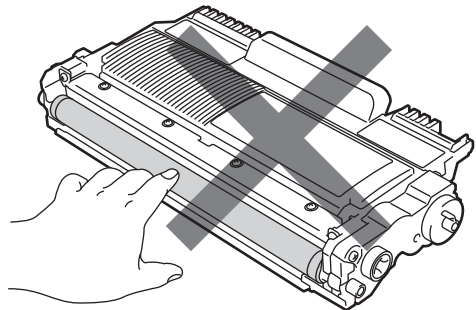


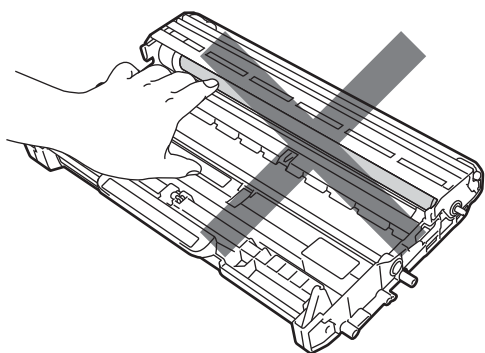
- 4 Push down the green lock lever and take the toner cartridge out of the drum unit. Clear the jammed paper if there is any inside the drum unit.



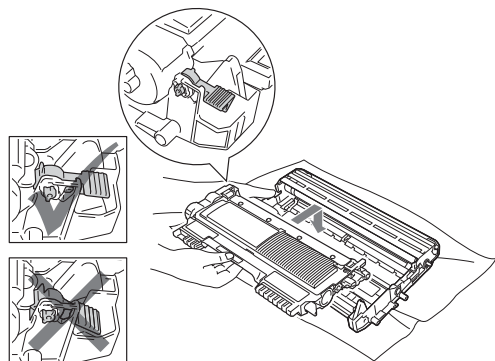
! IMPORTANT

- Handle the toner cartridge carefully. If toner scatters on your hands or clothes, immediately wipe or wash it off with cold water.
- To avoid print quality problems, DO NOT touch the shaded parts shown in the illustrations.



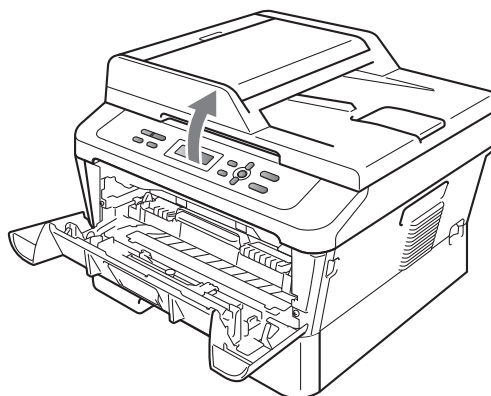


- 5 Put the toner cartridge back into the drum unit until you hear it lock into place. If you put the cartridge in properly, the green lock lever will lift automatically.

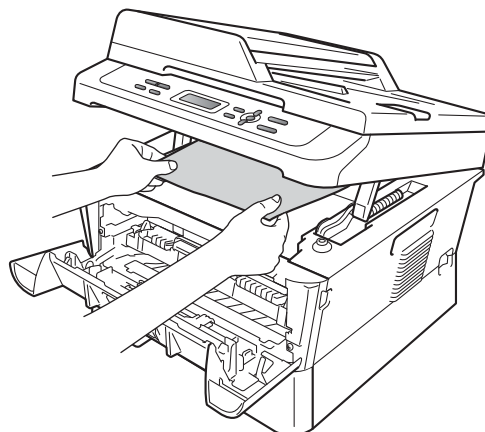


- 6 If you were able to remove the drum unit and toner cartridge assembly and the jammed paper, you have cleared the paper jam. Put the drum unit and toner cartridge assembly back into the machine and close the front cover. If the machine does not start printing automatically, press **Start**.

- 7 Lift the scanner cover.

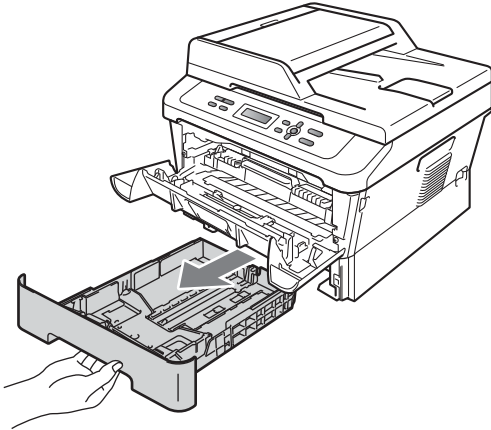


Use both hands to carefully pull the jammed paper up and out of the output tray opening.

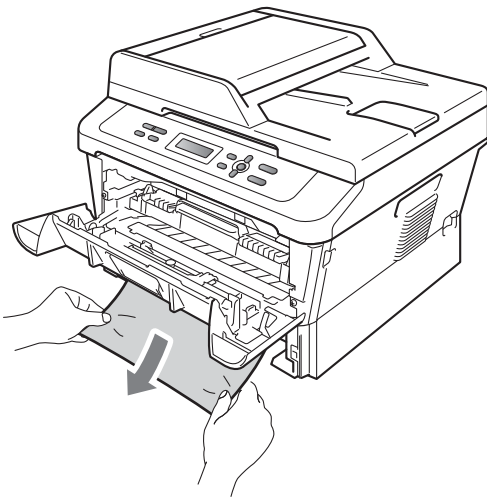


- 8 Close the scanner cover.

- 9 If you could not pull the jammed paper out of the output tray opening as shown in step 7, take the paper tray completely out of the machine.



- 10 Pull the jammed paper out of the paper tray opening.



- 11 Put the paper tray back into the machine. If you have removed the jammed paper, you have cleared the paper jam.

 **Note**

- If the LCD shows a `Jam Inside` message, check if there is a torn piece of paper inside the machine and drum unit by following the instructions in steps 3 to 6.
- If you turn off the machine while the LCD shows a `Jam Inside` message, the machine will print incomplete data from your computer.

Paper is jammed in the Duplex Tray

If the LCD shows `Jam Duplex`, follow these steps:

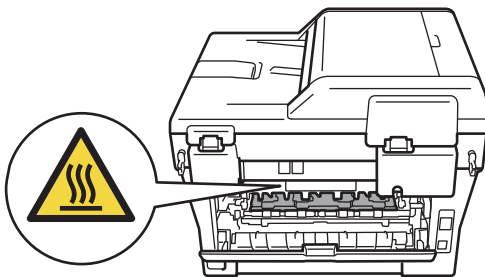
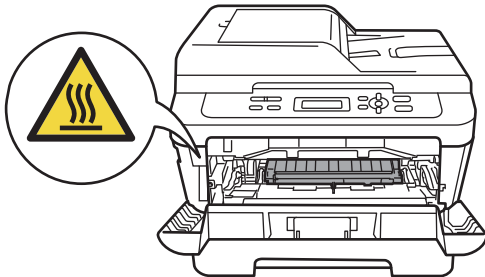
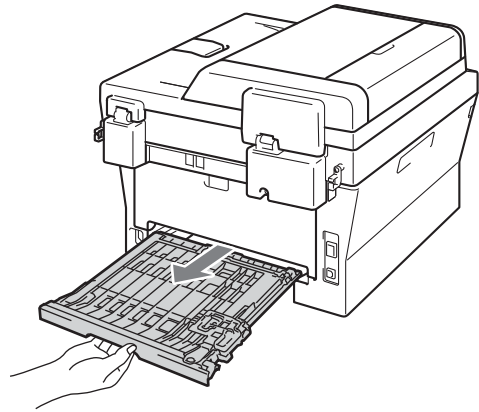
- 1 Leave the machine turned on for 10 minutes to cool down.

WARNING

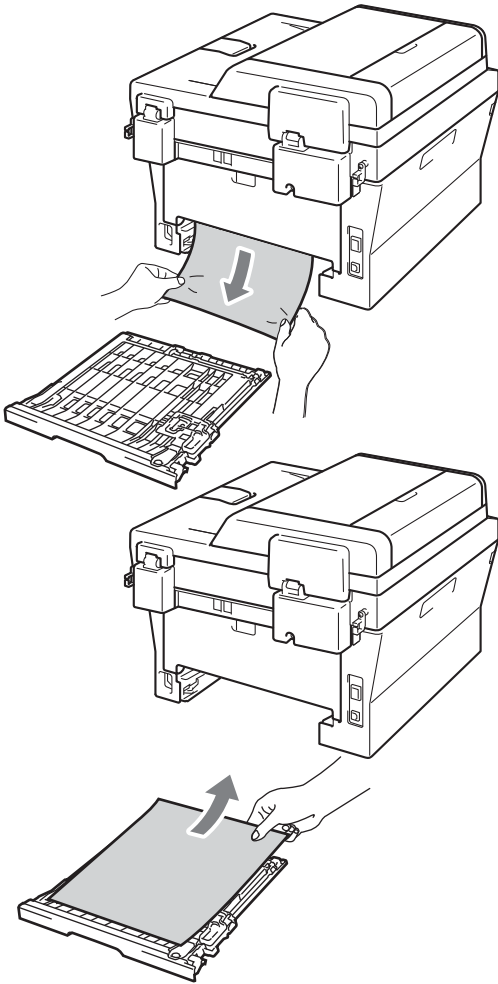
HOT SURFACE

After you have just used the machine, some internal parts of the machine will be extremely hot. When you open the front or back cover (back output tray) of the machine, DO NOT touch the shaded parts shown in the illustration. If you do this, you may burn yourself.

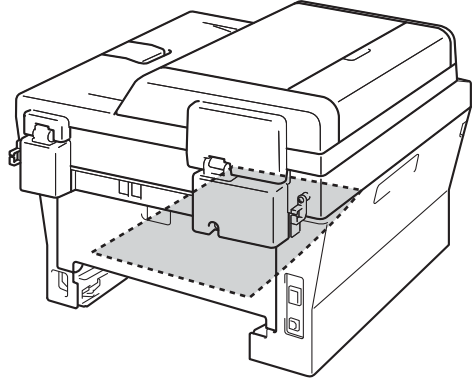
- 2 Pull the duplex tray completely out of the machine.



- 3 Pull the jammed paper out of the machine or the duplex tray.



- 4 Make sure that the jammed paper does not remain under the machine from static electricity.



- 5 Put the duplex tray back in the machine.

If you are having difficulty with your machine

! IMPORTANT

For technical help, you must call the country where you bought the machine. Calls must be made **from within** that country.

If you think there is a problem, check the chart below and follow the troubleshooting tips. You can solve most problems by yourself.

If you need additional help, the Brother Solutions Center offers the latest FAQs and troubleshooting tips.

Visit us at <http://solutions.brother.com/>.

Copy difficulties

Difficulties	Suggestions
Vertical black line appears in copies.	Black vertical lines on copies are typically caused by dirt or correction fluid on the glass strip, or the corona wire is dirty. (See <i>Cleaning the scanner glass</i> in <i>Appendix A</i> of the <i>Advanced User's Guide</i> and <i>Cleaning the corona wire</i> on page 34.)
Copies are blank.	Make sure you are loading the document properly. (See <i>Using the automatic document feeder (ADF)</i> (For DCP-7065DN) on page 21 or <i>Using the scanner glass</i> on page 22.)

Printing difficulties

Difficulties	Suggestions
Poor print quality	See <i>Improving the print quality</i> on page 59.

Printing difficulties (continued)

Difficulties	Suggestions
No printout.	<ul style="list-style-type: none"> ■ Check that the machine is plugged in and the power switch is turned on. ■ Check that the toner cartridge and drum unit are installed properly. (See <i>Replacing the drum unit</i> on page 36.) ■ Check the interface cable connection on both the machine and your computer. (See the <i>Quick Setup Guide</i>.) ■ Check that the correct printer driver has been installed and chosen. ■ Check to see if the LCD is showing an error message. (See <i>Error and maintenance messages</i> on page 40.) ■ Check that the machine is online: (Windows® 7 and Windows Server® 2008 R2) Click the Start button and Devices and Printers. Right-click Brother MFC-XXXX Printer. Make sure that Use Printer Offline is unchecked. (Windows Vista®) Click the Start button, Control Panel, Hardware and Sound, and then Printers. Right-click Brother MFC-XXXX Printer. Make sure that Use Printer Offline is unchecked. (Windows® XP and Windows Server® 2003/2008) Click the Start button and choose Printers and Faxes. Right-click Brother MFC-XXXX Printer. Make sure that Use Printer Offline is unchecked. (Windows® 2000) Click the Start button and choose Settings and then Printers. Right-click Brother MFC-XXXX Printer. Make sure that Use Printer Offline is unchecked.
The machine prints unexpectedly or it prints garbage.	<ul style="list-style-type: none"> ■ Press Job Cancel to cancel print jobs. ■ Check the settings in your application to make sure it is set up to work with your machine. ■ Pull out the paper tray and wait until the machine stops printing. Then turn off the machine's power switch and disconnect from the power for several minutes.
The machine prints the first couple of pages correctly, then some pages have text missing.	<ul style="list-style-type: none"> ■ Check the settings in your application to make sure that it is set up to work with your machine. ■ Your computer is not recognizing the machine's input buffer's full signal. Make sure that you connected the interface cable correctly. (See the <i>Quick Setup Guide</i>.)
The headers or footers appear when the document displays on the screen but they do not show up when it is printed.	There is an unprintable area on the top and bottom of the page. Adjust the top and bottom margins in your document to allow for this. (See <i>Unscannable and unprintable areas</i> on page 14.)
The machine does not print on both sides of the paper even though the printer driver setting is Duplex.	Check the paper size setting in the printer driver. You need to choose Letter, Legal or Folio [16 to 28 lb (60 to 105 g/m ²)].
The machine is not printing or has stopped printing.	<p>Press Job Cancel.</p> <p>As the machine cancels the job and clears it from the memory it may produce an incomplete printout.</p>



Scanning difficulties

Difficulties	Suggestions
TWAIN errors appear while scanning.	Make sure that the Brother TWAIN driver is chosen as the primary source. In PaperPort™ 12SE, click File, Scan or Get Photo and choose the Brother TWAIN driver.
OCR does not work.	Try increasing the scanning resolution. (Macintosh users) Make sure you have downloaded and installed Presto! PageManager from http://nj.newsoft.com.tw/download/brother/PM9SEInstaller_BR_multilang.dmg
(For DCP-7065DN / HL-2280DW) Network scanning does not work.	See <i>Network difficulties (For DCP-7065DN / HL-2280DW)</i> on page 57.

Software difficulties

Difficulties	Suggestions
Cannot install software or print.	Run the Repair MFL-Pro Suite program on the CD-ROM. This program will repair and reinstall the software.
Cannot perform '2 in 1' or '4 in 1' printing.	Check that the paper size setting in the application and in the printer driver are the same.
The machine does not print from Adobe® Illustrator®.	Try to reduce the print resolution. (See <i>Advanced tab</i> in the <i>Software User's Guide</i> .)

Paper handling difficulties

Difficulties	Suggestions
The machine does not feed paper. The LCD shows No Paper or a Paper Jam message.	<ul style="list-style-type: none"> ■ If there is no paper, load a new stack of paper into the paper tray. ■ If there is paper in the paper tray, make sure it is straight. If the paper is curled, you should straighten it. Sometimes it is helpful to remove the paper, turn the stack over and put it back into the paper tray. ■ Reduce the amount of paper in the paper tray, and then try again. ■ Make sure that manual feed mode is not chosen in the printer driver. ■ Clean the paper pick-up roller. See <i>Cleaning the paper pick-up rollers</i> in <i>Appendix A</i> of the <i>Advanced User's Guide</i>. ■ If the LCD shows the Paper Jam message and you still have a problem, see <i>Error and maintenance messages</i> on page 40.
How do I print on envelopes?	You can load envelopes from the manual feed slot. Your application must be set up to print the envelope size you are using. This is usually done in the Page Setup or Document Setup menu of your application.
What paper can I use?	You can use thin paper, plain paper, thick paper, bond paper, recycled paper, envelopes and labels that are made for laser machines. (For details, see <i>Acceptable paper and other print media</i> on page 16.) <ul style="list-style-type: none"> ■ You can load envelopes from the manual feed slot.
There is a paper jam.	Clear the jammed paper. (See <i>Document Jams</i> on page 43.)

Print quality difficulties

Difficulties	Suggestions
Printed pages are curled.	<ul style="list-style-type: none"> ■ Low quality thin or thick paper or not printing on the recommended side of the paper could cause this problem. Try turning over the stack of paper in the paper tray. ■ Make sure that you choose the Paper Type that suits the print media type you are using. (See <i>Acceptable paper and other print media</i> on page 16.)
Printed pages are smeared.	The Paper Type setting may be incorrect for the type of print media you are using, or the print media may be too thick or have a rough surface. (See <i>Acceptable paper and other print media</i> on page 16 and <i>Basic tab</i> in the <i>Software User's Guide</i> .)
Printouts are too light.	<ul style="list-style-type: none"> ■ If this problem occurs when making copies or printing turn Toner Save mode to Off in the machine menu settings. (See <i>Toner Save</i> in <i>Chapter 1</i> of the <i>Advanced User's Guide</i>) ■ Set Toner Save mode to Off in the Advanced tab in the printer driver. (See <i>Advanced tab</i> in the <i>Software User's Guide</i>.)

Network difficulties (For DCP-7065DN / HL-2280DW)

Difficulties	Suggestions
Cannot print over a wired Network.	<p>If you are having Network problems see the <i>Network User's Guide</i> for more information.</p> <p>Make sure your machine is powered on, is on-line, and is in Ready mode. Print the Network Configuration list to see your current Network settings. (See <i>Network Configuration List</i> in <i>Chapter 1</i> of the <i>Advanced User's Guide</i>.) Reconnect the LAN cable to the hub to verify that the cable and network connections are good. If possible, try connecting the machine to a different port on your hub using a different cable. You can check the current wired network status from the Network control panel menu.</p>
The network scanning feature does not work.	<p>(Windows®)</p> <p>It is necessary to set the third-party Security/Firewall Software to allow Network scanning. To add port 54925 for Network scanning, enter the information below:</p> <ul style="list-style-type: none"> ■ In Name: Enter any description, for example Brother NetScan. ■ In Port number: Enter 54925. ■ In Protocol: UDP is selected. <p>Please refer to the instruction manual that came with your third-party Security/Firewall Software or contact the software manufacturer.</p> <p>For more details, you can read FAQs and troubleshooting suggestions at http://solutions.brother.com/.</p> <p>(Macintosh)</p> <ul style="list-style-type: none"> ■ The network scanning feature may be unable due to the firewall settings. Change or disable the firewall settings. If you are using a third-party personal Firewall software, see the User's Guide for your software or contact the software manufacturer. ■ Re-select your machine in the Device Selector application located in Macintosh HD/Library/Printers/Brother/Utilities/Device Selector or from the model list in ControlCenter2.



Network difficulties (For DCP-7065DN / HL-2280DW) (continued)

Difficulties	Suggestions
Your computer cannot find your machine.	<p>(Windows®) The firewall setting on your PC may be rejecting the necessary network connection. (For details, see the instructions above.)</p> <p>(Macintosh)</p> <ul style="list-style-type: none"> ■ The computer may be unable to detect the machine due to the firewall settings. Change or disable the firewall settings. If you are using a third-party personal Firewall software, see the User's Guide for your software or contact the software manufacturer. ■ Re-select your machine in the Device Selector application located in Macintosh HD/Library/Printers/Brother/Utilities/Device Selector or from the model list in ControlCenter2.
Cannot connect to wireless network. (HL-2280DW)	Investigate the problem using the WLAN Report . Press Menu , press ▲ or ▼ to choose 5.Machine Info. and press OK , press ▲ or ▼ to choose 5.WLAN Report and press OK , and then press Start . For more details, see the <i>Quick Setup Guide</i> .

Other

Difficulties	Suggestions
The machine will not turn on.	<p>Adverse conditions on the power connection (such as lightning or a power surge) may have triggered the machine's internal safety mechanisms. Turn the machine off and unplug the power cord. Wait for ten minutes, then plug in the power cord and turn the machine on.</p> <p>If the problem is not solved, turn off the machine. Plug the power cord into a different known working outlet and turn on the machine.</p>

Improving the print quality


If you have a print quality problem, make a copy first (put a document on the scanner glass and press **Start**). If the printout looks good, the problem is probably not the machine. Check the interface cable connections or try printing a different document. If the printout or test page printed from the machine has a quality problem, check the following steps first. And then, if you still have a print quality problem, check the chart below and follow the recommendations.




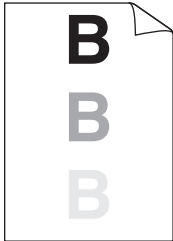

Note




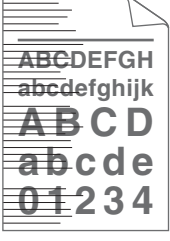
Using non-Brother supplies may affect the print quality, hardware performance, and machine reliability.

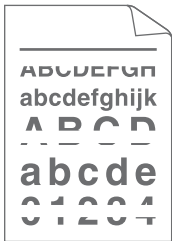
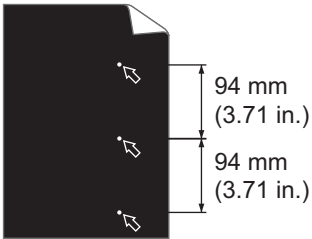
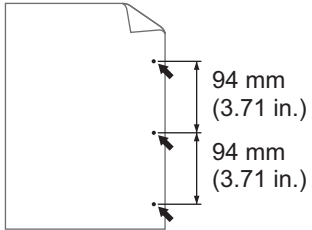
- 1 To get the best print quality, we suggest using the recommended paper. Check that you use paper that meets our specifications. (See *Acceptable paper and other print media* on page 16.)
- 2 Check that the drum unit and toner cartridge assembly is installed properly.

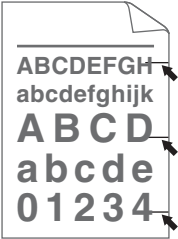
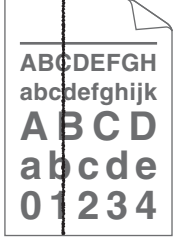

Examples of poor print quality	Recommendation
<div style="text-align: center;">  <p>Faint</p> </div>	<ul style="list-style-type: none"> ■ Take out the drum unit and toner cartridge assembly. Hold the assembly level with both hands and gently shake it from side to side several times to spread the toner evenly inside the cartridge. ■ Check if the Toner Setting for <code>Replace Toner</code> is set to <code>Continue</code> (Continue mode). See <i>Toner settings</i> in <i>Chapter 1</i> of the <i>Advanced User's Guide</i>. ■ Check the machine's environment. Conditions such as humidity, high temperatures, and so on, may cause this print fault. See the <i>Safety and Legal booklet</i>. ■ If the whole page is too light, Toner Save mode may be on. Turn off <code>Toner Save</code> mode in the machine menu settings or Toner Save mode in the printer Properties of the driver. See <i>Toner save</i> in <i>Chapter 1</i> of the <i>Advanced User's Guide</i> or <i>Advanced tab</i> in <i>Chapter 2</i> of the <i>Software User's Guide</i>. ■ Clean the corona wire of the drum unit. See <i>Cleaning the corona wire</i> on page 34. ■ Put in a new toner cartridge. See <i>Replacing the toner cartridge</i> on page 29. ■ Put in a new drum unit. See <i>Replacing the drum unit</i> on page 35.


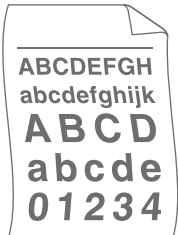
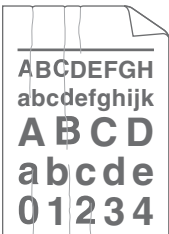



Examples of poor print quality	Recommendation
 <p data-bbox="198 562 397 587">Gray background</p>	<ul style="list-style-type: none"> <li data-bbox="513 266 1227 324">■ Make sure that you use paper that meets our specifications. See <i>Acceptable paper and other print media</i> on page 16. <li data-bbox="513 336 1227 426">■ Check the machine's environment. Conditions such as high temperatures and high humidity can increase the amount of background shading. See the <i>Safety and Legal booklet</i>. <li data-bbox="513 438 1227 496">■ Put in a new toner cartridge. See <i>Replacing the toner cartridge</i> on page 29. <li data-bbox="513 508 1227 533">■ Put in a new drum unit. See <i>Replacing the drum unit</i> on page 35.
 <p data-bbox="262 898 332 923">Ghost</p>	<ul style="list-style-type: none"> <li data-bbox="513 602 1227 716">■ Make sure that you use paper that meets our specifications. Rough-surfaced paper or thick print media may cause this problem. See <i>Acceptable paper and other print media</i> on page 16. <li data-bbox="513 728 1227 842">■ Make sure that you choose the proper media type in the printer driver or in the machine's Paper Type menu setting. See <i>Acceptable paper and other print media</i> on page 16 and <i>Basic tab</i> in <i>Chapter 2</i> of the <i>Software User's Guide</i>. <li data-bbox="513 853 1227 948">■ Choose Reduce Ghosting mode in the printer driver. See <i>Ghost Reduction Setting</i> in <i>Chapter 2</i> (for Windows®) or <i>Chapter 8</i> (for Macintosh) of the <i>Software User's Guide</i>. <li data-bbox="513 960 1227 1018">■ Put in a new toner cartridge. See <i>Replacing the toner cartridge</i> on page 29 <li data-bbox="513 1029 1227 1054">■ Put in a new drum unit. See <i>Replacing the drum unit</i> on page 35. <li data-bbox="513 1066 1227 1124">■ The fuser unit may be contaminated. Call Brother Customer Service.
 <p data-bbox="218 1447 375 1472">Toner specks</p>	<ul style="list-style-type: none"> <li data-bbox="513 1151 1227 1246">■ Make sure that you use paper that meets our specifications. Rough-surfaced paper may cause the problem. See <i>Acceptable paper and other print media</i> on page 16. <li data-bbox="513 1257 1227 1348">■ Clean the corona wire and the drum unit. See <i>Cleaning the corona wire</i> on page 34 and <i>Cleaning the drum unit</i> in <i>Appendix A</i> of the <i>Advanced User's Guide</i>. <li data-bbox="513 1360 1227 1418">■ The drum unit may be damaged. Put in a new drum unit. See <i>Replacing the drum unit</i> on page 35. <li data-bbox="513 1429 1227 1468">■ The fuser unit may be contaminated. Call Brother Customer Service.

Examples of poor print quality	Recommendation
 <p data-bbox="257 562 399 587">Hollow print</p>	<ul style="list-style-type: none"> <li data-bbox="546 266 1252 324">■ Make sure that you use paper that meets our specifications. See <i>Acceptable paper and other print media</i> on page 16. <li data-bbox="546 340 1252 450">■ Choose Thick Paper mode in the printer driver, choose Thick in the machine's Paper Type menu setting or use thinner paper than you are currently using. See <i>Paper Type</i> on page 15 and <i>Basic tab</i> in the <i>Software User's Guide</i>. <li data-bbox="546 465 1252 552">■ Check the machine's environment. Conditions such as high humidity can cause hollow print. See the <i>Safety and Legal booklet</i>. <li data-bbox="546 568 1252 625">■ The drum unit may be damaged. Put in a new drum unit. See <i>Replacing the drum unit</i> on page 35.
 <p data-bbox="278 935 378 960">All black</p>	<ul style="list-style-type: none"> <li data-bbox="546 639 1252 749">■ Clean the corona wire inside the drum unit by sliding the green tab from left to right and right to left several times. Be sure to return the green tab to the home position (▲). See <i>Cleaning the corona wire</i> on page 34. <li data-bbox="546 765 1252 823">■ The drum unit may be damaged. Put in a new drum unit. See <i>Replacing the drum unit</i> on page 35. <li data-bbox="546 838 1252 896">■ The fuser unit may be contaminated. Call Brother Customer Service.
 <p data-bbox="168 1273 488 1298">White lines across the page</p>	<ul style="list-style-type: none"> <li data-bbox="546 977 1252 1035">■ Make sure that you use paper that meets our specifications. A rough surfaced paper or thick print media can cause problems. <li data-bbox="546 1051 1252 1161">■ Make sure that you choose the appropriate media type in the printer driver or in the machine's Paper Type menu setting. See <i>Acceptable paper and other print media</i> on page 16 and <i>Basic tab</i> in the <i>Software User's Guide</i>. <li data-bbox="546 1176 1252 1263">■ The problem may disappear by itself. Print multiple pages to clear this problem, especially if the machine has not been used for a long time. <li data-bbox="546 1278 1252 1336">■ The drum unit may be damaged. Put in a new drum unit. See <i>Replacing the drum unit</i> on page 35.
 <p data-bbox="203 1646 454 1671">Lines across the page</p>	<ul style="list-style-type: none"> <li data-bbox="546 1350 1252 1408">■ Clean the corona wire of the drum unit. See <i>Cleaning the corona wire</i> on page 34. <li data-bbox="546 1423 1252 1481">■ The drum unit may be damaged. Put in a new drum unit. See <i>Replacing the drum unit</i> on page 35.

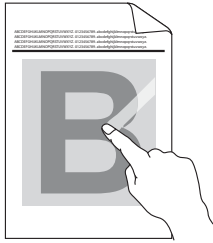
Examples of poor print quality	Recommendation
 <p data-bbox="134 558 463 614">White lines, bands or ribbing across the page</p>	<ul style="list-style-type: none"> <li data-bbox="513 264 1171 349">■ Check the machine's environment. Conditions such as high humidity and high temperatures may cause this print quality problem. <li data-bbox="513 365 1222 421">■ If the problem is not solved after printing a few pages, put in a new drum unit. (See <i>Replacing the drum unit</i> on page 35.)
 <p data-bbox="138 921 458 1006">White Spots on black text and graphics at 94 mm (3.71 in.) intervals</p>  <p data-bbox="131 1307 467 1358">Black Spots at 94 mm (3.71 in.) intervals</p>	<ul style="list-style-type: none"> <li data-bbox="513 627 1222 768">■ Make ten copies of a blank, white sheet of paper. See <i>How to copy</i> on page 24. If the problem is not solved, the drum unit may have glue from a label stuck on the OPC drum surface. Clean the drum unit. See <i>Cleaning the drum unit</i> in <i>Appendix A</i> of the <i>Advanced User's Guide</i>. <li data-bbox="513 784 1188 840">■ The drum unit may be damaged. Put in a new drum unit. See <i>Replacing the drum unit</i> on page 35.

Examples of poor print quality	Recommendation
 <p data-bbox="161 562 495 614">Black toner marks across the page</p>	<ul style="list-style-type: none"> <li data-bbox="546 266 1252 318">■ Make sure that you use paper that meets our specifications. See <i>Acceptable paper and other print media</i> on page 16. <li data-bbox="546 338 1252 450">■ If you use label sheets for laser printers, the glue from the sheets may sometimes stick to the OPC drum surface. Clean the drum unit. See <i>Cleaning the drum unit</i> in <i>Appendix A</i> of the <i>Advanced User's Guide</i>. <li data-bbox="546 469 1252 521">■ Do not use paper that has clips or staples because they will scratch the surface of the drum. <li data-bbox="546 540 1252 593">■ If the unpacked drum unit is in direct sunlight or room light, the unit may be damaged. <li data-bbox="546 612 1252 664">■ The toner cartridge may be damaged. Put in a new toner cartridge. See <i>Replacing the toner cartridge</i> on page 29. <li data-bbox="546 683 1252 736">■ The drum unit may be damaged. Put in a new drum unit. See <i>Replacing the drum unit</i> on page 35.
 <p data-bbox="161 1049 495 1141">Black lines down the page Printed pages have toner stains down the page.</p>	<ul style="list-style-type: none"> <li data-bbox="546 753 1252 805">■ Clean the corona wire inside the drum unit by sliding the green tab. See <i>Cleaning the corona wire</i> on page 34. <li data-bbox="546 824 1252 877">■ Make sure the green tab of the corona wire is at the home position (▲). <li data-bbox="546 896 1252 948">■ The drum unit may be damaged. Put in a new drum unit. See <i>Replacing the drum unit</i> on page 35. <li data-bbox="546 967 1252 1020">■ The toner cartridge may be damaged. Put in a new toner cartridge. See <i>Replacing the toner cartridge</i> on page 29. <li data-bbox="546 1039 1252 1091">■ The fuser unit may be contaminated. Call Brother Customer Service.
 <p data-bbox="161 1454 495 1476">White lines down the page</p>	<ul style="list-style-type: none"> <li data-bbox="546 1159 1252 1211">■ The toner cartridge may be damaged. Put in a new toner cartridge. See <i>Replacing the toner cartridge</i> on page 29. <li data-bbox="546 1230 1252 1282">■ The drum unit may be damaged. Put in a new drum unit. See <i>Replacing the drum unit</i> on page 35. <li data-bbox="546 1302 1252 1383">■ Check if the Toner Setting for <i>Replace Toner</i> is set to <i>Continue</i> (Continue mode). See <i>Toner settings</i> in <i>Chapter 1</i> of the <i>Advanced User's Guide</i>. <li data-bbox="546 1402 1252 1454">■ Make sure that a torn piece of paper is not stuck inside the machine blocking the scanner.

Examples of poor print quality	Recommendation
 <p data-bbox="220 556 374 581">Page skewed</p>	<ul style="list-style-type: none"> ■ Make sure that the paper or other print media is loaded properly in the paper tray and that the guides are not too tight or too loose against the paper stack. ■ Set the paper guides correctly. See <i>Loading paper</i> on page 8. ■ If you are using the manual feed slot, see <i>Loading paper in the manual feed slot</i> on page 10. ■ The paper tray may be too full. See <i>Loading paper</i> on page 8. ■ Check the paper type and quality. See <i>Acceptable paper and other print media</i> on page 16. ■ Check for loose objects such as torn paper inside the machine. ■ Verify that the two green envelope levers inside the back cover are set to the same position. ■ Verify that the two gray Anti-Curl Levers inside the back cover are set to the same position. ■ If the problem only occurs during duplex printing, check for torn paper in the duplex tray, verify that the duplex tray is inserted completely, and verify that the back cover is closed completely.
 <p data-bbox="211 1164 384 1190">Curled or wavy</p>	<ul style="list-style-type: none"> ■ Check the paper type and quality. High temperatures and high humidity will cause paper to curl. See <i>Acceptable paper and other print media</i> on page 16. ■ If you do not use the machine often, the paper may have been in the paper tray too long. Turn over the stack of paper in the paper tray. Also, fan the paper stack and then rotate the paper 180° in the paper tray. ■ Open the back cover (<i>face-up</i> output tray) for the machine to eject printed pages onto the <i>face-up</i> output tray. ■ Choose Reduce Paper Curl mode in the printer driver when you do not use our recommended paper. See <i>Other Print Options</i> (for Windows®) or <i>Print Settings</i> (For Macintosh) in the <i>Software User's Guide</i>.
 <p data-bbox="183 1605 411 1630">Wrinkles or creases</p>	<ul style="list-style-type: none"> ■ Make sure that the paper is loaded properly. See <i>Loading paper</i> on page 8. ■ Check the paper type and quality. See <i>Acceptable paper and other print media</i> on page 16. ■ Turn over the stack of paper in the tray or try rotating the paper 180° in the input tray.

Examples of poor print quality	Recommendation
<div data-bbox="255 291 399 542" data-label="Image"> </div> <div data-bbox="225 571 430 602" data-label="Caption"> <p>Envelope creases</p> </div>	<ul style="list-style-type: none"> <li data-bbox="543 266 1225 324">■ Make sure that the two green envelope levers inside the back cover are pulled down when you print the envelope. <div data-bbox="646 369 1130 981" data-label="Image"> </div> <div data-bbox="536 1025 654 1072" data-label="Section-Header"> <p> Note</p> </div> <div data-bbox="563 1074 1259 1137" data-label="Text"> <p>When you have finished printing, open the back cover and reset the two green levers back to their original position.</p> </div>

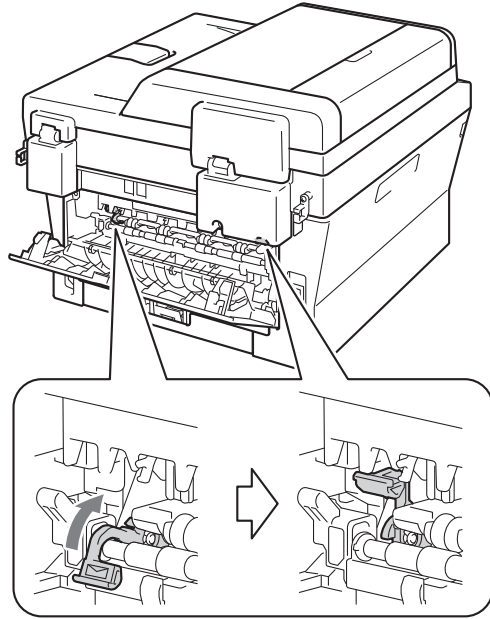
Examples of poor print quality



Poor fixing

Recommendation

- Open the back cover and make sure that the two green envelope levers on the left and right hand sides are in the up position.



- Choose **Improve Toner Fixing** mode in the printer driver. See *Other Print Options* (for Windows®) or *Print Settings* (For Macintosh) in the *Software User's Guide*. If this selection does not provide enough improvement, select **Thicker Paper** in **Media Type** settings.

Examples of poor print quality	Recommendation
<div data-bbox="252 291 404 537" style="border: 1px solid black; padding: 5px; text-align: center;"> <p>ABCDEF GH abcdefghijk ABCD abcde 01234</p> </div> <p data-bbox="289 568 367 595" style="text-align: center;">Curled</p>	<ul style="list-style-type: none"> ■ Choose Reduce Paper Curl mode in the printer driver when you do not use our recommended paper. See <i>Other Print Options</i> (for Windows®) or <i>Print Settings</i> (For Macintosh) in the <i>Software User's Guide</i>. ■ Turn the paper over in the paper tray, and print again. (Excluding letterhead paper) If the problems remains, switch the Anti-Curl Levers as follows: <ol style="list-style-type: none"> 1 Open the back cover. 2 Lift the lever (1) and slide the two gray levers (2) in the direction of the arrow. <div data-bbox="561 672 1232 1591" style="border: 1px solid black; padding: 10px;"> <p>The diagram illustrates the process of adjusting the anti-curl levers. It consists of three parts: a top-down view of the paper tray mechanism showing a hand lifting lever 1 and sliding levers 2; a side view of the printer with the back cover open, showing the location of the paper tray; and a bottom-up view of the lever assembly showing the hand lifting lever 1 and sliding levers 2 in the direction of the arrow.</p> </div>

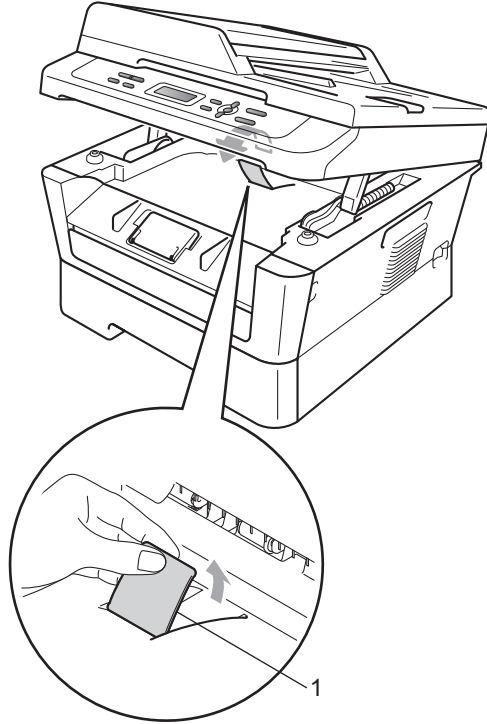
Examples of poor print quality



Curled

Recommendation

- Lift up the output tray support flap (1).



Machine Information

Checking the Serial Number

You can see the machine's Serial Number on the LCD.

- 1 Press **Menu**.
- 2 (For DCP-7060D)
Press **▲** or **▼** to choose 3.Machine Info..
Press **OK**.

(For DCP-7065DN)
Press **▲** or **▼** to choose 4.Machine Info..
Press **OK**.

(For HL-2280DW)
Press **▲** or **▼** to choose 5.Machine Info..
Press **OK**.
- 3 Press **▲** or **▼** to choose 1.Serial No..
Press **OK**.

```
Machine Info.
1.Serial No.
```

- 4 Press **Stop/Exit**.

Reset functions

The following reset functions are available:

- 1 (For DCP-7065DN / HL-2280DW)
Network

You can reset the internal print server back to its default factory settings such as the password and IP address information.
- 2 All Settings

You can reset all the machine's settings back to its default factory settings.

Brother strongly recommends you perform this operation when you dispose of the machine.



Note

Unplug the interface cable before you choose `Network` or `All Settings`.

How to reset the machine

- 1 Press **Menu**.
- 2 Press **▲** or **▼** to choose 1.General Setup.
Press **OK**.
- 3 Press **▲** or **▼** to choose 5.Reset.
Press **OK**.
- 4 Press **▲** or **▼** to choose the type of reset function you want to use.
Press **OK**.
- 5 Do one of the following:
 - To reset the settings, press **▲** to choose `Reset`. Then go to step 6.
 - To exit without making changes, press **▼** to choose `Exit`. Then go to step 7.
- 6 You will be asked if you want to reboot the machine. Do one of the following:
 - To reboot the machine, press **▲** to choose `Yes`.
The machine will begin the reset.
 - To exit without rebooting, press **▼** to choose `No`.
Then go to step 7.
- 7 Press **Stop/Exit**.

On-screen programming

Your machine has been designed to be easy to use. The LCD provides on-screen programming using the menu keys.







We have created step by step on-screen instructions to help you program your machine. Simply follow the steps as they guide you through the menu selections and programming options.

Menu table

You can program your machine by using the *Menu table* on page 72. These pages list the menu selections and options. Press **Menu** and then press ▲ or ▼ to access the menus and program your machine. For example, to set Copy Quality to Photo Quality

- 1 Press **Menu**.
- 2 Press ▲ or ▼ to choose 2.Copy.
Press **OK**.
- 3 Press ▲ or ▼ to choose 1.Quality.
Press **OK**.
- 4 Press ▲ or ▼ to choose Photo.
Press **OK**.
- 5 Press **Stop/Exit**.

Menu keys

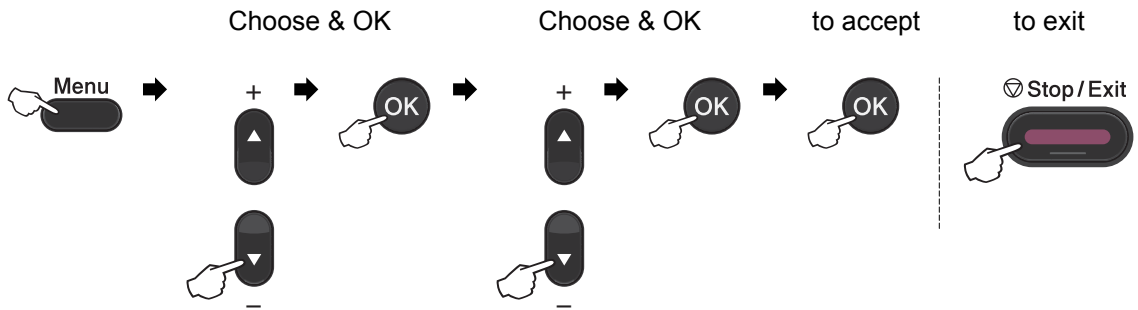
	
	Access the menu.
	Go to the next menu level. Accept an option.
	Exit the menu by pressing repeatedly. Go back to the previous menu level.
	Scroll through the current menu level.
	Exit the menu.


How to access the menu mode


- 1 Press **Menu**.
- 2 Choose an option. You can scroll through each menu level by pressing ▲ or ▼ for the direction you want.
- 3 Press **OK** when the option you want appears on the LCD. The LCD will then show the next menu level.
- 4 Press ▲ or ▼ to scroll to your next menu selection.
- 5 Press **OK**. When you have finished setting an option, the LCD will show *Accepted*.
- 6 Press **Stop/Exit** to exit Menu mode.


Menu table

The factory settings are shown in Bold with an asterisk.



Level 1	Level 2	Level 3	Level 4	Options	Descriptions	Page
1. General Setup	1. Paper	1. Paper Type	—	Thin Plain* Thick Thicker Recycled Paper Label	Sets the type of paper in the paper tray.	15
		2. Paper Size	—	A4 Letter* Legal Executive A5 A5 L A6 B5 B6 Folio	Sets the size of the paper in the paper tray.	15
	2. Ecology	1. Toner Save	—	On Off*	Increases the page yield of the toner cartridge.	See 1.
¹ See <i>Advanced User's Guide</i> . ² See <i>Quick Setup Guide</i> .						
 The factory settings are shown in Bold with an asterisk.						

Level 1	Level 2	Level 3	Level 4	Options	Descriptions	Page
1. General Setup (Continued)	2. Ecology (Continued)	2. Sleep Time	—	Range varies depending on models. 003Min*	Conserves power.	See ¹ .
	3. LCD Contrast	—	—	-□□□■+ -□□■□+ -□□■□+* -□■□□+ -■□□□+	Adjusts the contrast of the LCD.	
	4. Replace Toner	—	—	Continue Stop*	The machine will stop printing until you replace the toner cartridge.	
	5. Reset (For DCP-7060D)	1. All Settings	—	▲ Reset ▼ Exit	Restores the machine's settings to the original factory default settings.	69
	5. Reset (For DCP-7065DN and HL-2280DW)	1. Network	—	▲ Reset ▼ Exit	Restores the machine's network settings to the original factory default settings.	
2. All Settings		—	▲ Reset ▼ Exit	Restores all the machine's settings to the original factory default settings.		
	0. Local Language	—	(Choose your language)	—	Allows you to change the LCD language for your country.	See ² .
¹ See <i>Advanced User's Guide</i> . ² See <i>Quick Setup Guide</i> .						
 The factory settings are shown in Bold with an asterisk.						

Level 1	Level 2	Level 3	Options	Descriptions	Page
2. Copy	1. Quality	—	Auto* Text Photo Graph	You can choose the Copy resolution for your type of document.	See ¹ .
¹ See <i>Advanced User's Guide</i> .					
 The factory settings are shown in Bold with an asterisk.					

Level 1	Level 2	Level 3	Options	Descriptions	Page
2. Copy (Continued)	2. Brightness	—	-□□□■+ -□□□■+ -□□■□+* -□■□□+ -■□□□+	Adjust the brightness for copies.	See ¹ .
	3. Contrast	—	-□□□■+ -□□□■+ -□□■□+* -□■□□+ -■□□□+	Adjusts the contrast for copies.	

¹ See *Advanced User's Guide*.



The factory settings are shown in Bold with an asterisk.


Level 1	Level 2	Level 3	Options	Descriptions	Page
3. Printer (For HL-2280DW)	1. Print Options	1. Internal Font	—		Prints a list of the machine's internal fonts.
		2. Configuration	—		Prints a list of the machine's printer settings.
		3. Test Print	—		Prints a test page.
	2. Duplex	—	Off* On (Long Edge) On (Short Edge)	Enables or disables duplex printing. You can also choose long edge or short edge duplex printing.	
	3. Reset Printer	—	▲ Reset ▼ Exit	Restores the printer settings to the original factory default settings.	

¹ See *Advanced User's Guide*.

² See *Software User's Guide*.



The factory settings are shown in Bold with an asterisk.


Level 1	Level 2	Level 3	Level 4	Options	Descriptions
3. Network (For DCP-7065DN)	1. TCP/IP	1. Boot Method	—	Auto* Static RARP BOOTP DHCP	Chooses the Boot method that best suits your needs.
		2. IP Address	—	[000-255]. [000-255]. [000-255]. [000-255]	Enter the IP address.
		3. Subnet Mask	—	[000-255]. [000-255]. [000-255]. [000-255]	Enter the Subnet mask.
		4. Gateway	—	[000-255]. [000-255]. [000-255]. [000-255]	Enter the Gateway address.
		5. Node Name	—	BRNXXXXXXXXXXXXXX	Enter the Node name.
		6. WINS Config	—	Auto* Static	Chooses the WINS configuration mode.
<i>See Network User's Guide.</i>					
 The factory settings are shown in Bold with an asterisk.					

Level 1	Level 2	Level 3	Level 4	Options	Descriptions
3. Network (For DCP-7065DN) (Continued)	1. TCP/IP (Continued)	7. WINS Server	—	Primary [000-255]. [000-255]. [000-255]. [000-255] Secondary [000-255]. [000-255]. [000-255]. [000-255]	Specifies the IP address of the primary or secondary WINS server.
		8. DNS Server	—	Primary [000-255]. [000-255]. [000-255]. [000-255] Secondary [000-255]. [000-255]. [000-255]. [000-255]	Specifies the IP address of the primary or secondary DNS server.
		9. APIPA	—	On* Off	Automatically allocates the IP address from the link-local address range.
		0. IPv6	—	On Off*	Enable or Disable the IPv6 protocol. If you want to use the IPv6 protocol, visit http://solutions.brother.com/ for more information.
	2. Ethernet	—	—	Auto* 100B-FD 100B-HD 10B-FD 10B-HD	Chooses the Ethernet link mode.
	3. Status	—	—	Active 100B-FD Active 100B-HD Active 10B-FD Active 10B-HD Inactive Wired OFF	Shows the Ethernet link status.
	4. MAC Address	—	—	—	Shows the MAC address of the machine.
	0. Network Reset	—	▲ Reset ▼ Exit	Reboot OK? ▲ Yes ▼ No	Restore all network settings to factory default.

See *Network User's Guide*.




The factory settings are shown in Bold with an asterisk.


Level 1	Level 2	Level 3	Level 4	Options	Descriptions
4. Network (For HL-2280DW)	1. Wired LAN	1. TCP/IP	1. Boot Method	Auto* Static RARP BOOTP DHCP	Chooses the Boot method that best suits your needs.
			2. IP Address	[000-255]. [000-255]. [000-255]. [000-255]	Enter the IP address.
			3. Subnet Mask	[000-255]. [000-255]. [000-255]. [000-255]	Enter the Subnet mask.
			4. Gateway	[000-255]. [000-255]. [000-255]. [000-255]	Enter the Gateway address.
			5. Node Name	BRNXXXXXXXXXXXXXX	Enter the Node name.
			6. WINS Config	Auto* Static	Chooses the WINS configuration mode.
			7. WINS Server	Primary [000-255]. [000-255]. [000-255]. [000-255] Secondary [000-255]. [000-255]. [000-255]. [000-255]	Specifies the IP address of the primary or secondary WINS server.
			8. DNS Server	Primary [000-255]. [000-255]. [000-255]. [000-255] Secondary [000-255]. [000-255]. [000-255]. [000-255]	Specifies the IP address of the primary or secondary DNS server.
			9. APIPA	On* Off	Automatically allocates the IP address from the link-local address range.
			0. IPv6	On Off*	Enable or Disable the IPv6 protocol. If you want to use the IPv6 protocol, visit http://solutions.brother.com/ for more information.
See <i>Network User's Guide</i> .					
 The factory settings are shown in Bold with an asterisk.					


Level 1	Level 2	Level 3	Level 4	Options	Descriptions	
4. Network (For HL-2280DW) (Continued)	1. Wired LAN (Continued)	2. Ethernet	—	Auto* 100B-FD 100B-HD 10B-FD 10B-HD	Chooses the Ethernet link mode.	
		3. Wired Status	—	Active 100B-FD Active 100B-HD Active 10B-FD Active 10B-HD Inactive Wired OFF	You can see the current wired status.	
		4. MAC Address	—	—	Shows the MAC address of the machine.	
		5. Set to Default	—	▲ Reset ▼ Exit	Restore the wired network setting to factory default.	
		6. Wired Enable	—	On* Off	Enable or Disable the Wired LAN manually.	
	2. WLAN	1. TCP/IP	1. Boot Method	—	Auto* Static RARP BOOTP DHCP	Chooses the Boot method that best suits your needs.
			2. IP Address	—	[000-255]. [000-255]. [000-255]. [000-255]	Enter the IP address.
			3. Subnet Mask	—	[000-255]. [000-255]. [000-255]	Enter the Subnet mask.
			4. Gateway	—	[000-255]. [000-255]. [000-255]. [000-255]	Enter the Gateway address.
			5. Node Name	—	BRWXXXXXXXXXXXXX	Enter the Node name.
			6. WINS Config	—	Auto* Static	Chooses the WINS configuration mode.
	See <i>Network User's Guide</i> .					



The factory settings are shown in Bold with an asterisk.

Level 1	Level 2	Level 3	Level 4	Options	Descriptions
4. Network (For HL-2280DW) (Continued)	2. WLAN (Continued)	1. TCP/IP (Continued)	7. WINS Server	Primary [000-255]. [000-255]. [000-255]. [000-255] Secondary [000-255]. [000-255]. [000-255]. [000-255]	Specifies the IP address of the primary or secondary WINS server.
			8. DNS Server	Primary [000-255]. [000-255]. [000-255]. [000-255] Secondary [000-255]. [000-255]. [000-255]. [000-255]	Specifies the IP address of the primary or secondary DNS server.
			9. APIPA	On* Off	Automatically allocates the IP address from the link-local address range.
			0. IPv6	On Off*	Enable or Disable the IPv6 protocol. If you want to use the IPv6 protocol, visit http://solutions.brother.com/ for more information.
		2. Setup Wizard	—	—	You can configure your print server.
		3. WPS/AOSS	—	—	You can easily configure your wireless network settings using the one-button push method.
		4. WPS w/PIN Code	—	—	You can easily configure your wireless network settings using WPS with a PIN code.
See <i>Network User's Guide</i> .					
 The factory settings are shown in Bold with an asterisk.					

Level 1	Level 2	Level 3	Level 4	Options	Descriptions
4. Network (For HL-2280DW) (Continued)	2. WLAN (Continued)	5. WLAN Status	1. Status	Active (11b) Active (11g) Wired LAN Active WLAN OFF AOSS Active Connection Fail	You can see the current wireless network status.
			2. Signal	Strong Medium Weak None	You can see the current wireless network signal strength.
			3. SSID	—	You can see the current SSID.
			4. Comm. Mode	Ad-hoc Infrastructure	You can see the current Communication Mode.
		6. MAC Address	—	—	Shows the MAC address of the machine.
		7. Set to Default	—	▲ Reset ▼ Exit	Restore the wireless network settings to factory default.
	8. WLAN Enable	—	1. On 2. Off*	Enable or disable the wireless LAN manually.	
0. Network Reset	—	▲ Reset ▼ Exit	Reboot OK? ▲ Yes ▼ No	Restores all network settings to factory default.	
See <i>Network User's Guide</i> .					
 The factory settings are shown in Bold with an asterisk.					

Level 1	Level 2	Level 3	Options	Descriptions	Page
3.Machine Info. (For DCP-7060D)	1.Serial No.	—	—	You can check the serial number of your machine.	69
4.Machine Info. (For DCP-7065DN)	2.Page Counter	—	Total List Copy Print	You can check the number of total pages the machine has printed during its life.	See ¹ .
5.Machine Info. (For HL-2280DW)	3.User Settings	—	—		
	4.Network Config (For DCP-7065DN and HL-2280DW)	—	—		
	5.WLAN Report (For HL-2280DW)	—	—		
4.Drum Life (For DCP-7060D) 5.Drum Life (For DCP-7065DN) 6.Drum Life (For HL-2280DW)	—	—	—	You can check the percentage of a Drum life that remains available.	
¹ See <i>Advanced User's Guide</i> .					
 The factory settings are shown in Bold with an asterisk.					

General



Note

This chapter provides a summary of the machines' specifications. For additional specifications visit <http://www.brother.com/> for details.

Printer Type	Laser	
Print Method	Electrophotography by semiconductor laser beam scanning	
Memory Capacity	32 MB	
LCD (liquid crystal display)	16 characters × 2 lines	
Power Source	110 - 120 V AC 50/60 Hz	
Power Consumption ¹	Peak:	1080 W
	Copying: ²	Approx. 445 W at 25 °C (77 °F)
	Ready:	Approx. 55 W at 25 °C (77 °F)
	For Wireless models	
	(WLAN: On) Sleep:	Approx. 2.8 W
	(WLAN: Off) Deep Sleep:	Approx. 1.0 W
	For non-Wireless models	
	Deep Sleep:	Approx. 0.9 W



Note

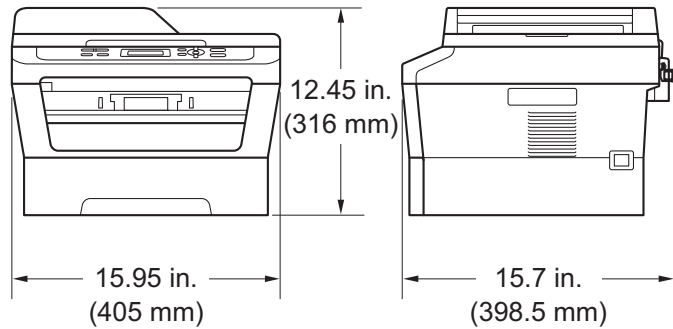
All figures stated above (except Peak) are average figures.

¹ USB connected to PC

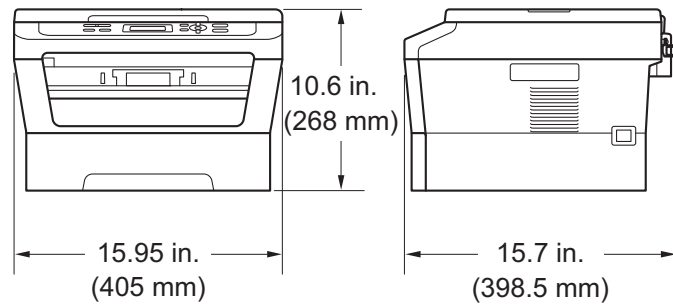
² When making a copy from one sheet

Dimensions

DCP-7065DN



DCP-7060D/HL-2280DW



Weight

With Consumables:

(For DCP-7060D) 10.1 kg (22.3 lb)
 (For DCP-7065DN) 11.4 kg (25.1 lb)
 (For HL-2280DW) 10.3 kg (22.7 lb)

Noise level

Sound power

Operating

(For DCP-7060D) LWAd = 6.74 B (A)
 / (For DCP-7065DN / HL-2280DW)
 LWAd = 6.81 B (A)

Standby:

LWAd = 4.3 B (A)

Sound pressure

Operating (Printing):

LPAm = 53 dB (A)

Standby:

LPAm = 30 dB (A)

Temperature	Operating:	50 °F to 90.5 °F (10 to 32.5 °C)
	Storage:	32 °F to 104 °F (0 to 40 °C)
Humidity	Operating:	20 to 80% (without condensation)
	Storage:	10 to 90% (without condensation)
ADF (automatic document feeder)	Up to 35 pages (Staggered) 20 lb (80 g/m ²)	
(For DCP-7065DN)		

Document Size

Document Size (Single-sided)	ADF Width:	5.8 to 8.5 in. (147.3 to 215.9 mm)
	(For DCP-7065DN)	
	ADF Length:	5.8 to 14 in. (147.3 to 355.6 mm)
	(For DCP-7065DN)	
	Scanner Glass Width:	Max. 8.5 in. (215.9 mm)
	Scanner Glass Length:	Max. 11.7 in. (297 mm)

Print media

Paper Input	Paper Tray	<ul style="list-style-type: none"> ■ Paper Type: Plain Paper, Thin Paper or Recycled Paper ■ Paper Size: Letter, A4, B5 (ISO/JIS), A5, A5 (Long Edge), B6 (ISO), A6, Executive, Legal³ and Folio³ ■ Paper Weight: 16 to 28 lb (60 to 105 g/m²) ■ Maximum Paper Tray Capacity: Up to 250 sheets of 20 lb (80 g/m²) Plain Paper
	Manual Feed Slot (Manual)	<ul style="list-style-type: none"> ■ Paper Type: Envelope, Labels¹, Thin Paper, Thick Paper, Thicker Paper, Recycled Paper, Bond Paper or Plain Paper ■ Paper Size: Width: 3.0 to 8.5 in. (76.2 to 216 mm) Length: 4.6 to 16 in. (116.0 to 406.4 mm) ■ Paper Weight: 16 to 43 lb (60 to 163 g/m²)² ■ Maximum Paper Tray Capacity: One sheet at a time 20 lb (80 g/m²) Plain Paper
Paper Output	Face-Down Output Tray	Up to 100 sheets (<i>face down</i> print delivery to the <i>Face down</i> output paper tray)
	Face-Up Output Tray	One sheet (<i>face up</i> print delivery to the <i>Face up</i> output paper tray)
Duplex Printing	■ Paper Size (Automatic Duplex):	Letter, Legal and Folio
	■ Paper Weight (Automatic Duplex):	16 to 28 lb (60 to 105 g/m ²)
	■ Paper Type (Automatic Duplex):	Plain Paper or Recycled Paper

¹ For labels, we recommend removing printed pages from the output paper tray immediately after they exit the machine to avoid the possibility of smudging.

² 16 to 28 lb (60 to 105 g/m²) for duplex print.

³ Legal or Folio size paper is not available in some regions outside the USA and Canada.

Copy

Color/Monochrome	Monochrome
Copy Width	Max. 8.3 in. (210 mm)
Multiple Copies	Stacks or Sorts up to 99 pages
Reduce/Enlarge	25% to 400% (in increments of 1%)
Resolution	Up to 600 × 600 dpi
First Copy Out Time	Less than 11 seconds (from Ready mode and standard tray)
Ready	At 25°C (77°F)

Scanner

Color/Mono	Yes/Yes
TWAIN Compliant	Yes (Windows® 2000 Professional/Windows® XP/ Windows® XP Professional x64 Edition/Windows Vista®/ Windows® 7) Mac OS X 10.4.11, 10.5.x, 10.6.x ¹
WIA Compliant	Yes (Windows® XP/Windows Vista®/Windows® 7)
Color Depth	48 bit internal / 24 bit external color
Resolution	Up to 19200 × 19200 dpi (interpolated) ² Up to 600 × 2400 dpi (optical) (from Scanner Glass) Up to 600 × 600 dpi (optical) (from ADF (For DCP-7065DN))
Scanning Width	Max. 8.27 in. (210 mm)
Gray Scale	256 levels

¹ For the latest driver updates for the Mac OS X you are using, visit us at <http://solutions.brother.com/>.

² Maximum 1200 × 1200 dpi scanning with the WIA driver in Windows® XP, Windows Vista® and Windows® 7 (resolution up to 19200 × 19200 dpi can be chosen by using the scanner utility)

Printer

Automatic 2-sided (Duplex) Print	Yes
Emulations (For HL-2280DW)	PCL6
Resolution	600 dpi × 600 dpi, HQ1200 (2400 × 600 dpi) quality
Print Speed (Duplex)	Up to 5 pages/minute (Letter size) ¹
Print Speed	(For DCP-7060D) Up to 24 pages/minute (Letter size) ¹ (For DCP-7065DN and HL-2280DW) Up to 27 pages/minute (Letter size) ¹
First Print Out Time	Less than 8.5 seconds (from Ready mode and standard tray)

¹ The print speed may vary depending on the type of document you print.

Interfaces

USB

We recommend using a USB cable (Type A/B) that is no longer than 6 feet (2 meters) long.^{1 2}

Ethernet³

(DCP-7065DN /
HL-2280DW)

Use an Ethernet UTP cable category 5 or greater.

Wireless LAN (HL-2280DW)

IEEE 802.11 b/g (Infrastructure / Ad-hoc Mode)

- ¹ Your machine has a Hi-Speed USB 2.0 interface. The machine can also be connected to a computer that has a USB 1.1 interface.
- ² Third-party USB ports are not supported.
- ³ See *Network (LAN) (DCP-7065DN / HL-2280DW)* on page 93 and the Network User's Guide for detailed network specifications.

Computer requirements

Minimum System Requirements and Supported PC Software Functions								
Computer Platform & Operating System Version		Processor Minimum Speed	Minimum RAM	Recommended RAM	Hard Disk Space to install		Supported PC Software Functions	Supported PC Interface ³
					For Drivers	For Applications		
Windows® Operating System ¹	Windows® 2000 Professional ⁴	Intel® Pentium® II or equivalent	64 MB	256 MB	150 MB	500 MB	Printing, Scanning	USB, 10/100 Base Tx (Ethernet), Wireless 802.11 b/g
	Windows® XP Home ^{2 5}		128 MB					
	Windows® XP Professional ^{2 5}							
	Windows® XP Professional x64 Edition ^{2 5}	64-bit (Intel®64 or AMD64) supported CPU	256 MB	512 MB				
	Windows Vista® ^{2 5}	Intel® Pentium® 4 or equivalent 64-bit (Intel®64 or AMD64) supported CPU	512 MB	1 GB	500 MB	1.2 GB		
	Windows® 7 ^{2 5}	Intel® Pentium® 4 or equivalent 64-bit (Intel®64 or AMD64) supported CPU	1 GB (32-bit) 2 GB (64-bit)	1 GB (32-bit) 2 GB (64-bit)	650 MB			

Minimum System Requirements and Supported PC Software Functions								
Computer Platform & Operating System Version		Processor Minimum Speed	Minimum RAM	Recommended RAM	Hard Disk Space to install		Supported PC Software Functions	Supported PC Interface ³
					For Drivers	For Applications		
	Windows Server [®] 2003 (print only via network)	Intel [®] Pentium [®] III or equivalent	256 MB	512 MB	50 MB	N/A	Printing	10/100 Base Tx (Ethernet), Wireless 802.11 b/g
	Windows Server [®] 2003 x64 Edition (print only via network)	64-bit (Intel [®] 64 or AMD64) supported CPU						
	Windows Server [®] 2008 (print only via network)	Intel [®] Pentium [®] 4 or equivalent 64-bit (Intel [®] 64 or AMD64) supported CPU	512 MB	2 GB				
	Windows Server [®] 2008 R2 (print only via network)	64-bit (Intel [®] 64 or AMD64) supported CPU						
Macintosh Operating System	Mac OS X 10.4.11 10.5.x	PowerPC [®] G4/G5 Intel [®] Core [™] Processor	512 MB	1 GB	80 MB	400 MB	Printing, Scanning	USB, 10/100 Base Tx (Ethernet), Wireless 802.11 b/g
	Mac OS X 10.6.x	Intel [®] Core [™] Processor	1 GB	2 GB				

¹ Internet Explorer[®] 6.0 or greater.

² For WIA, 1200 x 1200 resolution. Brother Scanner Utility enables to enhance up to 19200 x 19200 dpi.

³ Third-party USB ports are not supported.

⁴ PaperPort[™] 11SE supports Microsoft[®] SP4 or higher for Windows[®] 2000.

⁵ PaperPort[™] 12SE supports Microsoft[®] SP3 or higher for Windows[®] XP and SP2 or higher for Windows Vista[®] and Windows[®] 7.

For the latest driver updates, visit <http://solutions.brother.com/>.

All trademarks, brand and product names are property of their respective companies.

Consumable items

Toner Cartridge	Starter Toner Cartridge:	Approx. 700 pages (Letter) ¹
	Standard Toner Cartridge: TN-420	Approx. 1,200 pages (Letter) ¹
	High-Yield Toner Cartridge: TN-450	Approx. 2,600 pages (Letter) ¹
Drum Unit	DR-420	Approx. 12,000 pages (Letter) ²

¹ Approx. cartridge yield is declared in accordance with ISO/IEC 19752.

² Drum yield is approximate, and may vary by type of use.

Network (LAN) (DCP-7065DN / HL-2280DW)



Note

For details about the full Network specifications, see the *Network User's Guide*.

LAN	You can connect your machine to a network for Network Printing and Network Scanning. Also included is Brother BRAdmin Light ¹ Network Management software.	
Security Protocols		
Wired	APOP, POP before SMTP, SMTP-AUTH	
Wireless	APOP, POP before SMTP, SMTP-AUTH	
Wireless Network Security (HL-2280DW)	WEP 64/128 bit, WPA-PSK (TKIP/AES), WPA2-PSK (AES)	
Wireless Network Setup Support Utility (HL-2280DW)	AOSS™	Yes
	WPS	Yes

¹ BRAdmin Professional and Web BRAdmin are available as a download from <http://solutions.brother.com/>.

E

Index

A		E	
<hr/>		<hr/>	
Accessories and supplies	ii	Envelopes	12, 16, 17, 19
ADF (automatic document feeder)		Error messages on LCD	40
using	21	Drum Error	36
Apple Macintosh		Drum Stop	36
See Software User's Guide		Duplex Disabled	41
<hr/>		Init Unable XX	41
B		Jam Duplex	41
<hr/>		No Paper	41
Brother		Out of Memory	42
accessories and supplies	ii	Print Unable XX	42
Brother numbers	i	Replace Drum	36
Customer Service	i	Replace Toner	29
FAQs (frequently asked questions)	i	Toner Ended	30
product support	i	Toner Low	29
service centers	i	<hr/>	
Solutions Center	i	F	
warranties	iii, iv, vi	<hr/>	
<hr/>		Folio	15, 17
C		<hr/>	
<hr/>		G	
Cleaning		<hr/>	
corona wire	34	Gray scale	87
Consumable items	28	<hr/>	
disposal	32	H	
replacing	40	<hr/>	
Control panel overview	6	HELP	
Copy	24	LCD messages	70
keys	6	Menu Table	72
<hr/>		<hr/>	
D		J	
<hr/>		<hr/>	
Document		Jams	
how to load	21, 22	document	43
jams	43	paper	45
Drum unit		<hr/>	
cleaning	34	L	
replacing	35	<hr/>	
Duplex		Labels	10, 12, 16, 17, 20
key	6	LCD (liquid crystal display)	7, 70
paper jam	46, 52	<hr/>	
printing	74, 85		
troubleshooting	41, 55		

M

Macintosh	
See Software User's Guide	
Machine information	
how to reset the machine	69
reset functions	69
serial number	69
Maintenance, routine	
replacing	
drum unit	35
toner cartridge	29
Menu Table	72
Mode, entering	
copy	24

N

Network Printing	
See Network User's Guide	
Network Scanning	
See Software User's Guide	

O

OPC drum	62
Out of Memory message	42

P

Paper	16, 85
how to load	8
in manual feed slot	10
in paper tray	8
jams	41, 45
recommended	16, 17
size	15, 17
tray capacity	17
type	15, 17
PaperPort™ 12SE with OCR	
See Software User's Guide. See also Help in the PaperPort™ 12SE application.	
Presto! PageManager	
See Software User's Guide. See also Help in the Presto! PageManager application.	
Print	
difficulties	54
emulation	88
quality	57

resolution	88
specifications	88
Print quality	59
Programming your machine	70

Q

Quality	
printing	57

R

Replacing	
drum unit	35
toner cartridge	29
Resolution	
copy	86
print	88
scan	87

S

Safety Instructions	viii
Scan	6, 26
Scanner glass	
using	22
Serial number	
how to find	See inside front cover
Service centers	i

T

Toner cartridge	
replacing	29
Troubleshooting	40
document jam	43, 44
error messages on LCD	40
if you are having difficulty	
copy quality	54
network	57
paper handling	56
print quality	57
printing	54
scanning	56
software	56
maintenance messages on LCD	40
paper jam	45, 46, 48, 52

W

Warranties

Canada	vi
Notice-Disclaimer	iii
USA	iv

Windows®

See Software User's Guide

World Wide Web	i
----------------------	---

Wireless Network

See Quick Setup Guide and Network
User's Guide

EQUIPMENT ATTACHMENT LIMITATIONS (Canada only)

NOTICE

This product meets the applicable Industry Canada technical specifications.

NOTICE

The Ringer Equivalence Number is an indication of the maximum number of devices allowed to be connected to a telephone interface. The termination on an interface may consist of any combination of devices subject only to the requirement that the sum of the RENs of all the devices does not exceed five.

Brother International Corporation
100 Somerset Corporate Boulevard
P.O. Box 6911
Bridgewater, NJ 08807-0911 USA

Brother International Corporation (Canada) Ltd.
1 rue Hôtel de Ville,
Dollard-des-Ormeaux, QC, Canada H9B 3H6

brother®

Visit us on the World Wide Web
<http://www.brother.com/>

These machines are approved for use in the country of purchase only. Local Brother companies or their dealers will only support machines purchased in their own countries.